

2018 Ramp & Roadway



Washington State Department of

Transportation

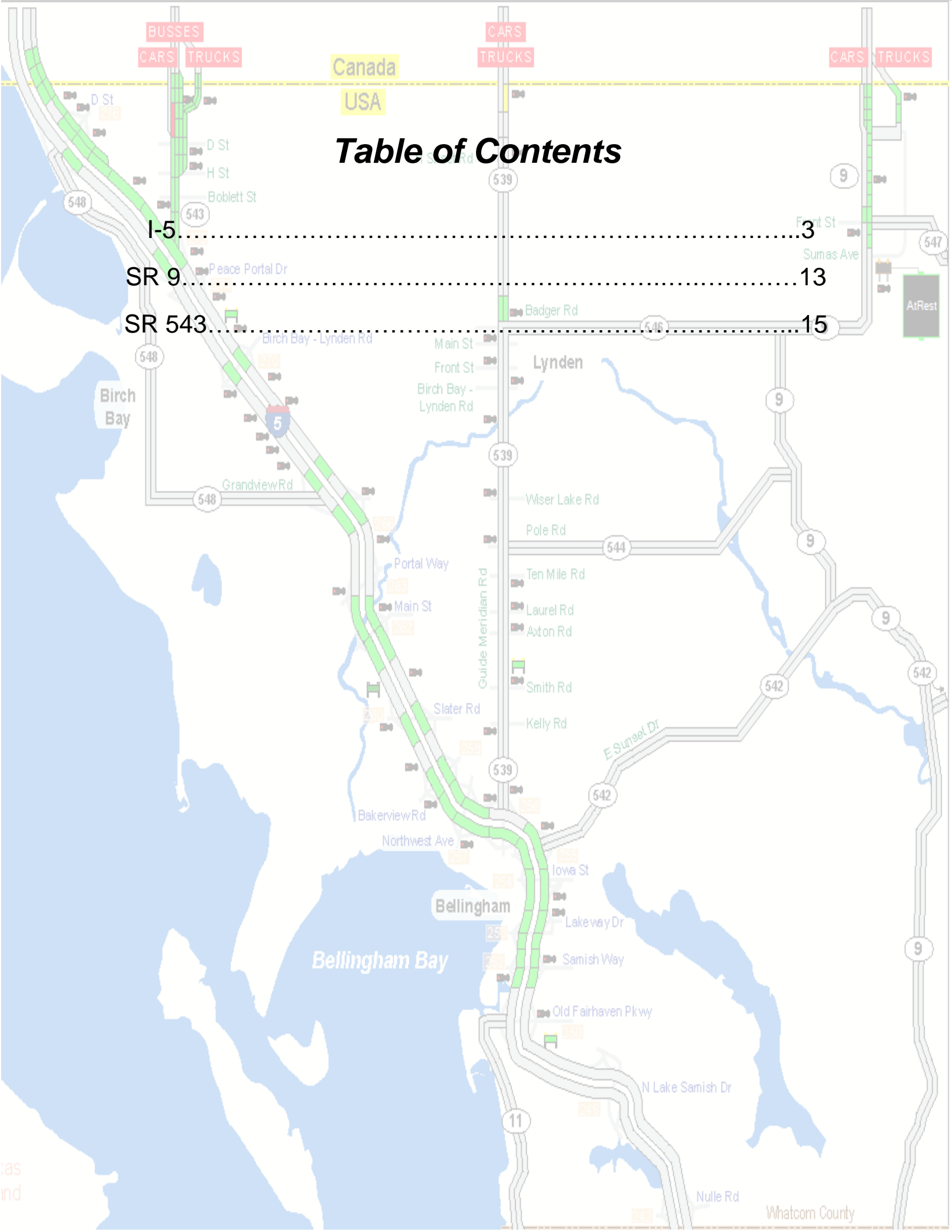
**Northwest Region- Whatcom County
Data Station Reference Guide**

Canada

USA

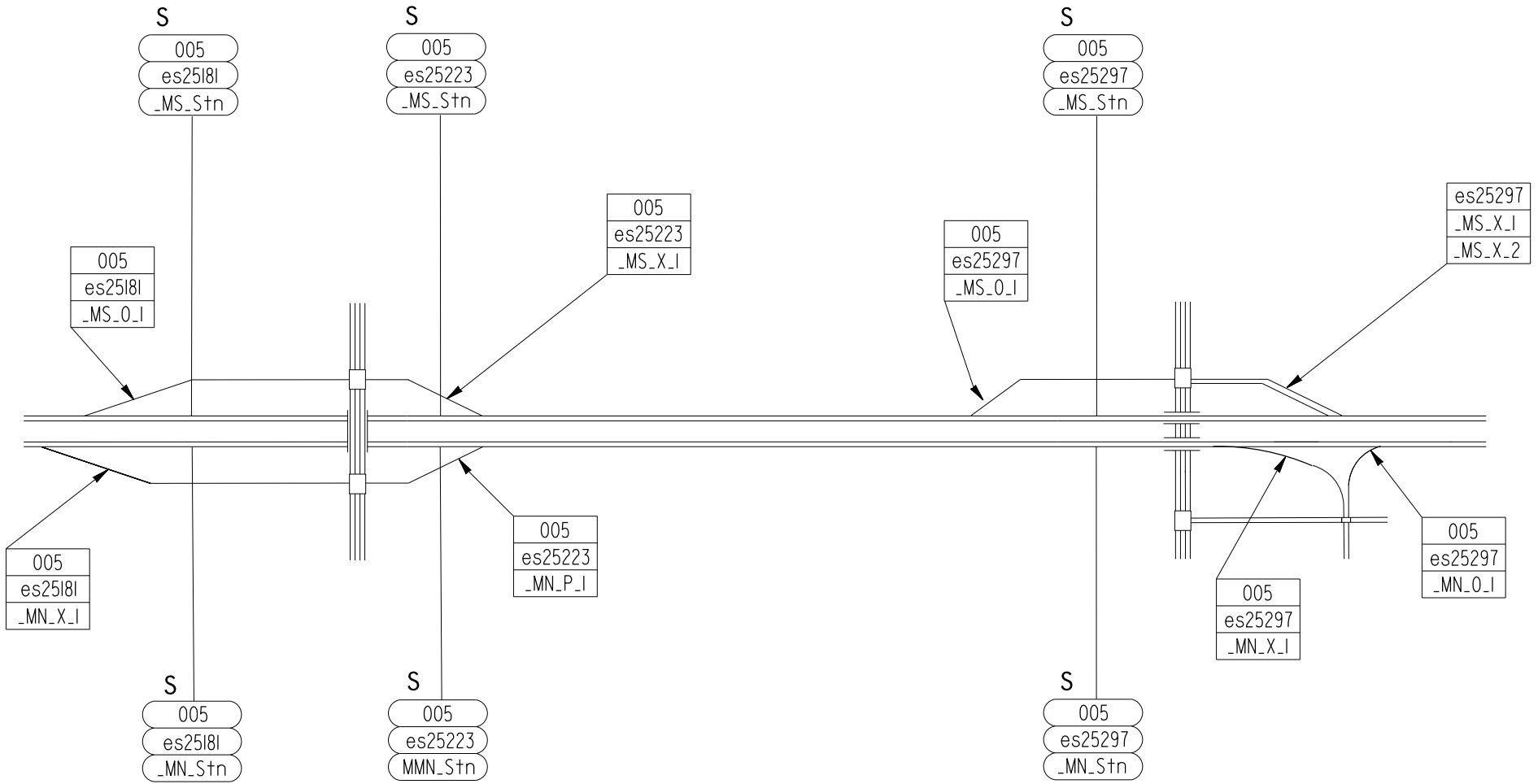
Table of Contents

| | |
|--------|----|
| I-5 | 3 |
| SR 9 | 13 |
| SR 543 | 15 |



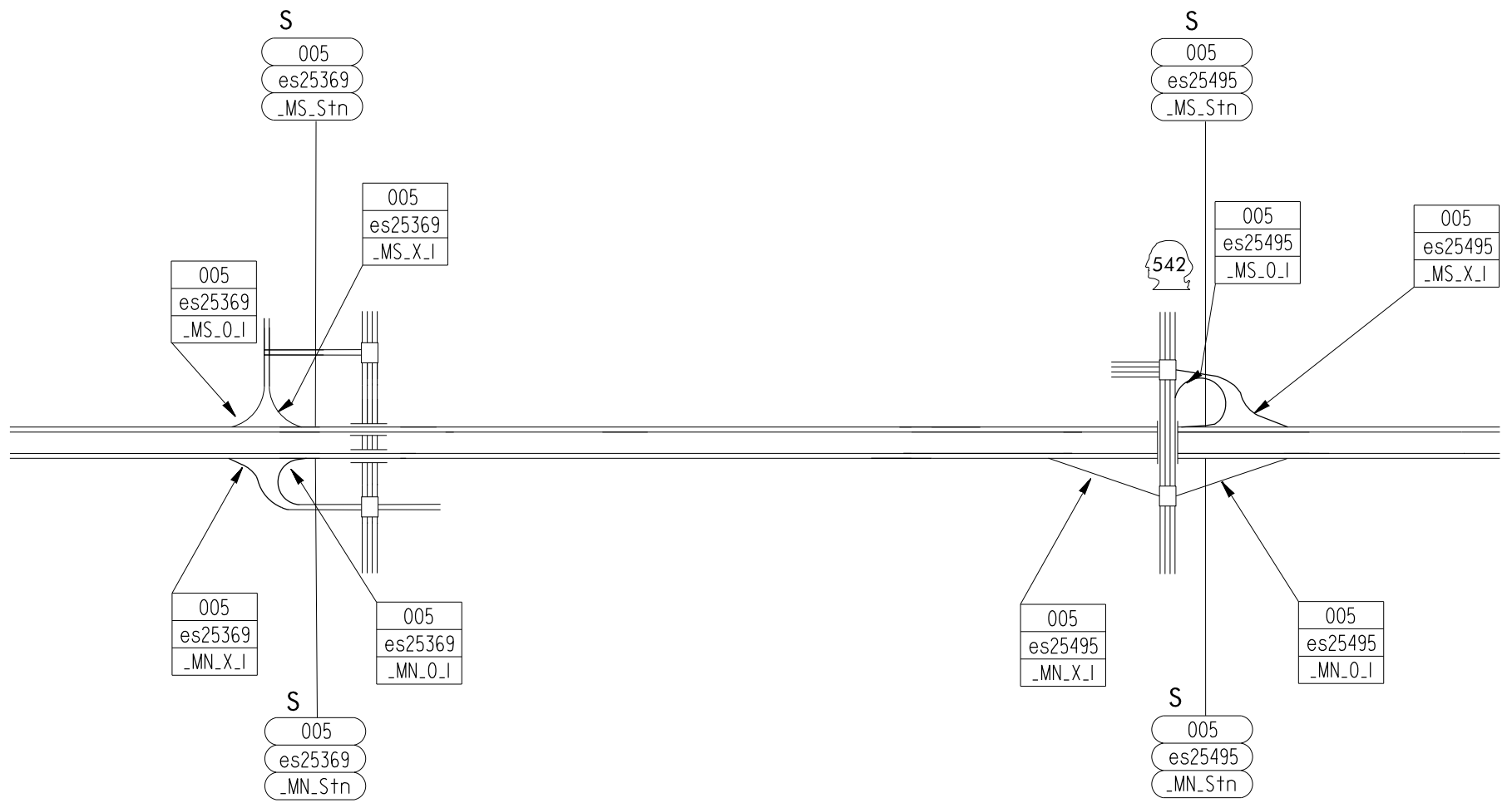
EXIT 252
SAMISH WAY

EXIT 253
LAKEWAY DR



EXIT 254
OHIO ST
IOWA ST

EXIT 255
SR 542
SUNSET DR

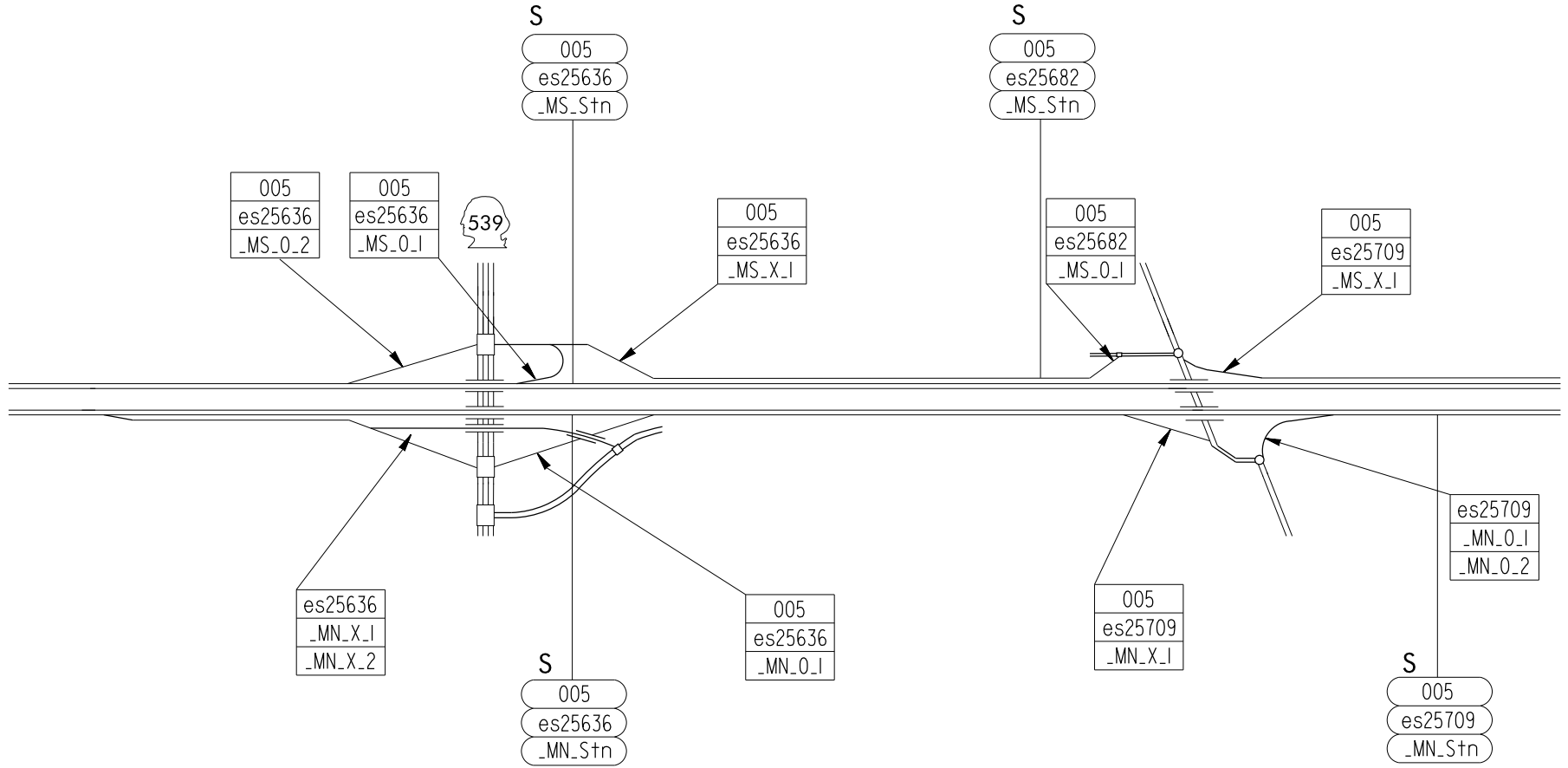


EXIT 256A/B

SR 539
MERIDIAN ST

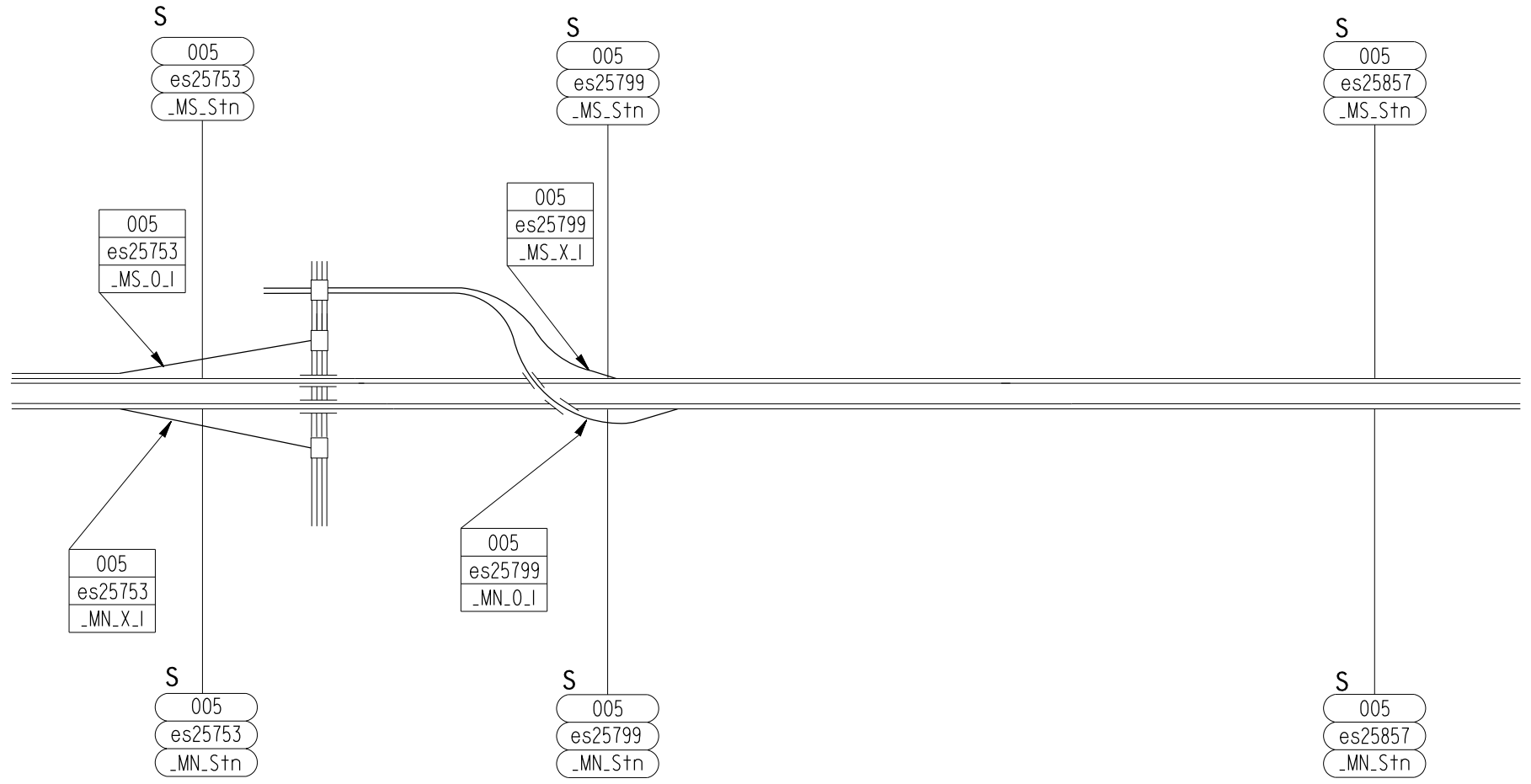
EXIT 257

NORTHWEST AVE

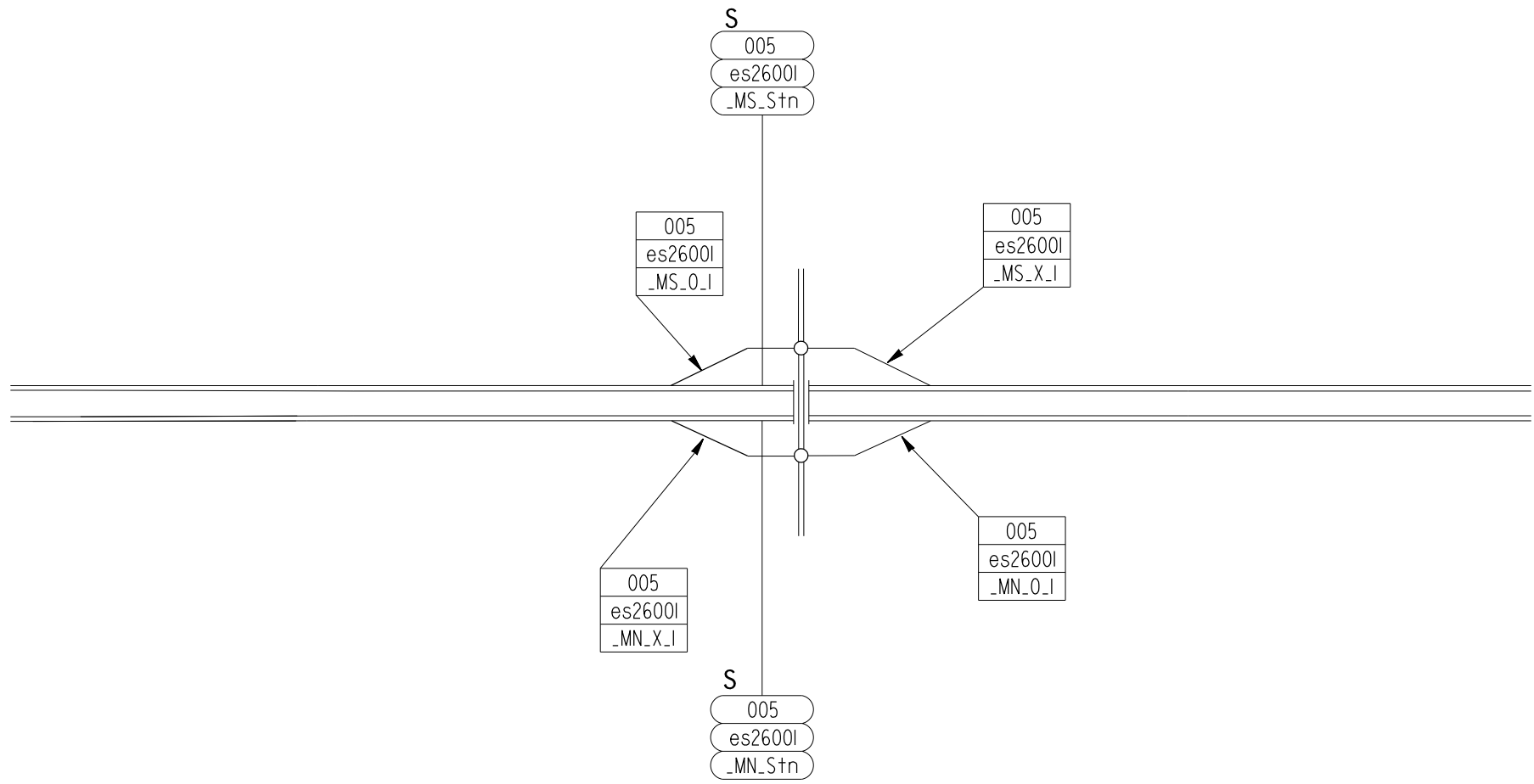


EXIT 258
BAKERVIE RD

BELLINGHAM AIRPORT

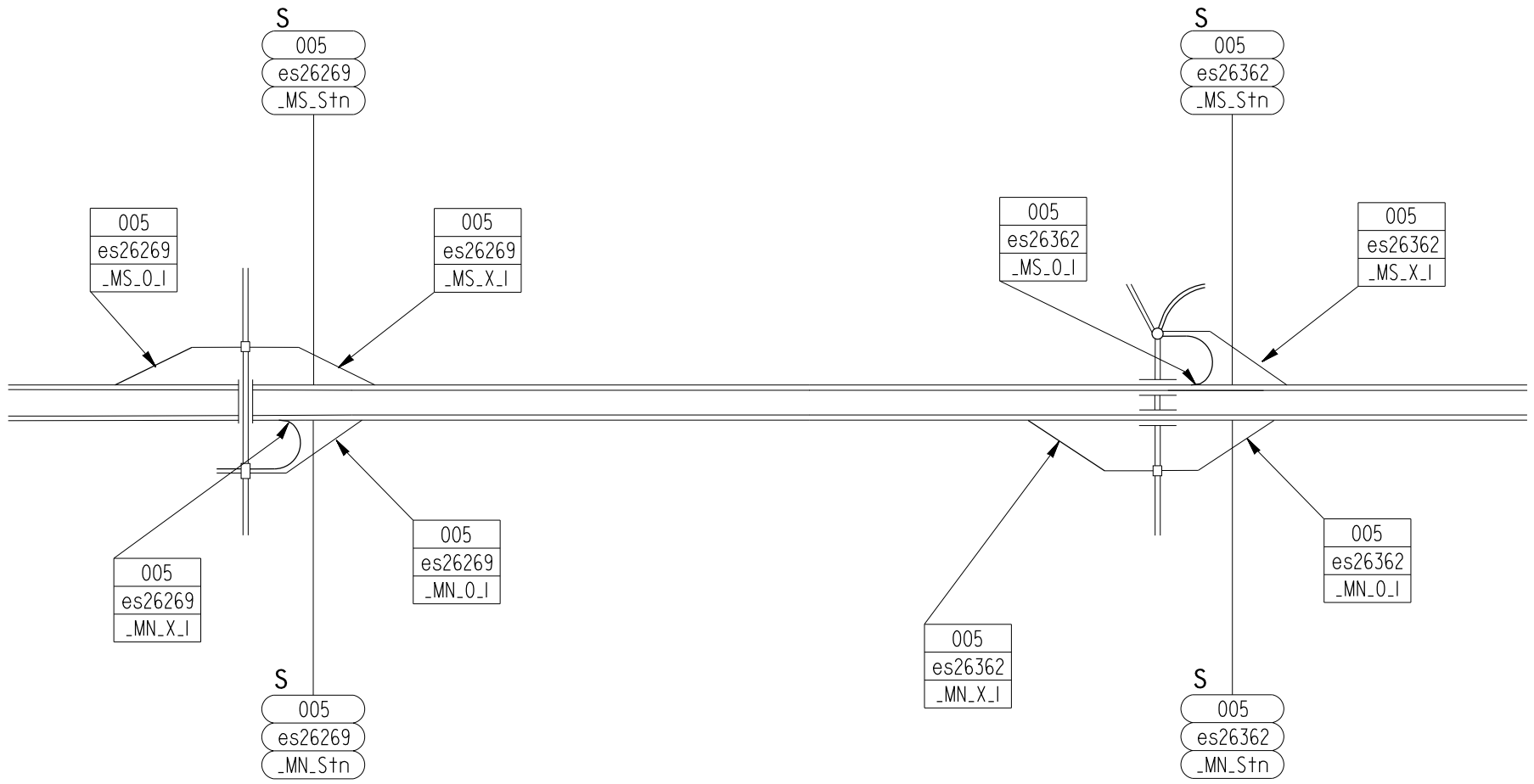


EXIT 260
SLATER RD



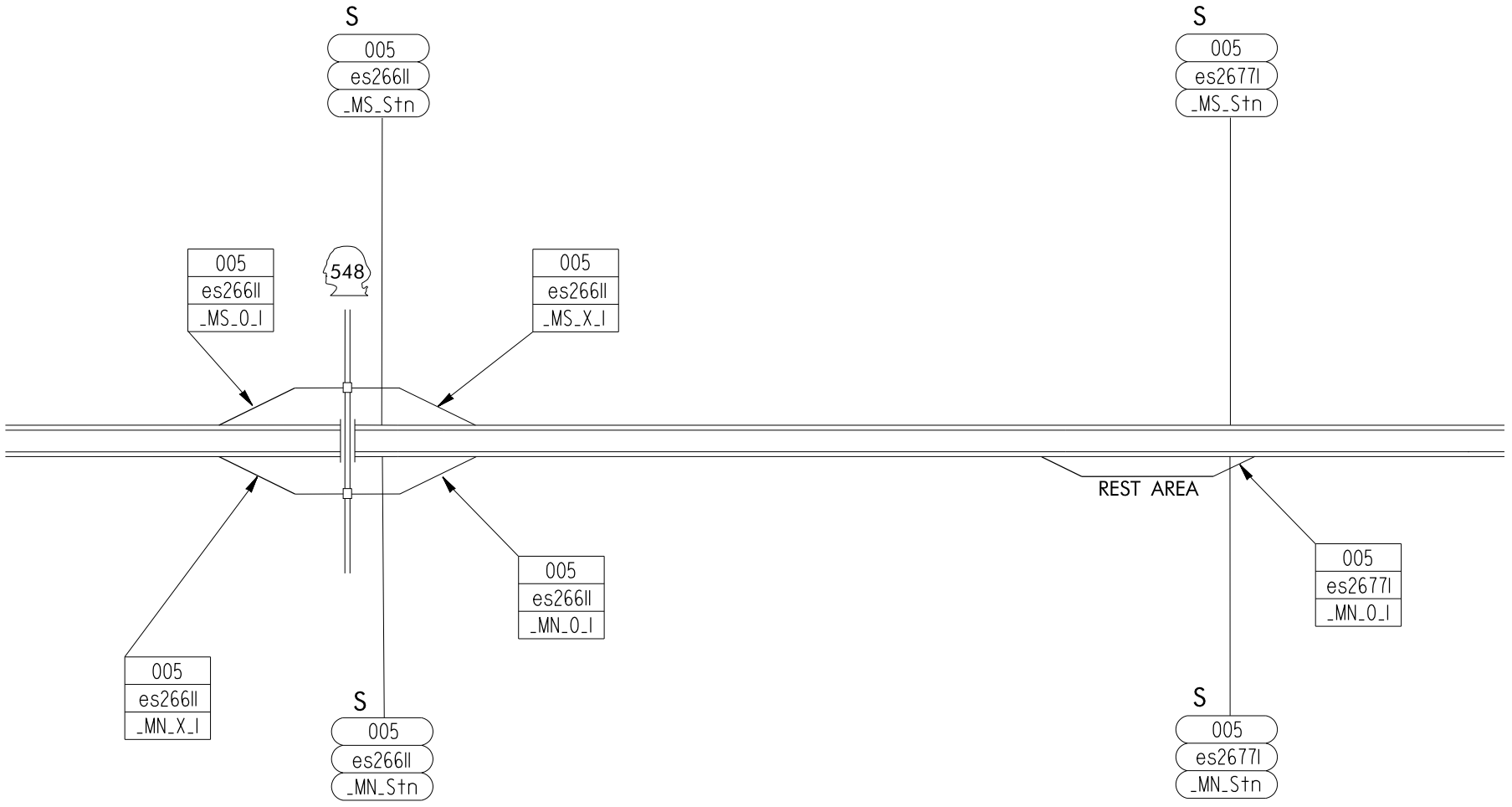
EXIT 262
MAIN ST

EXIT 263
PORTAL WAY



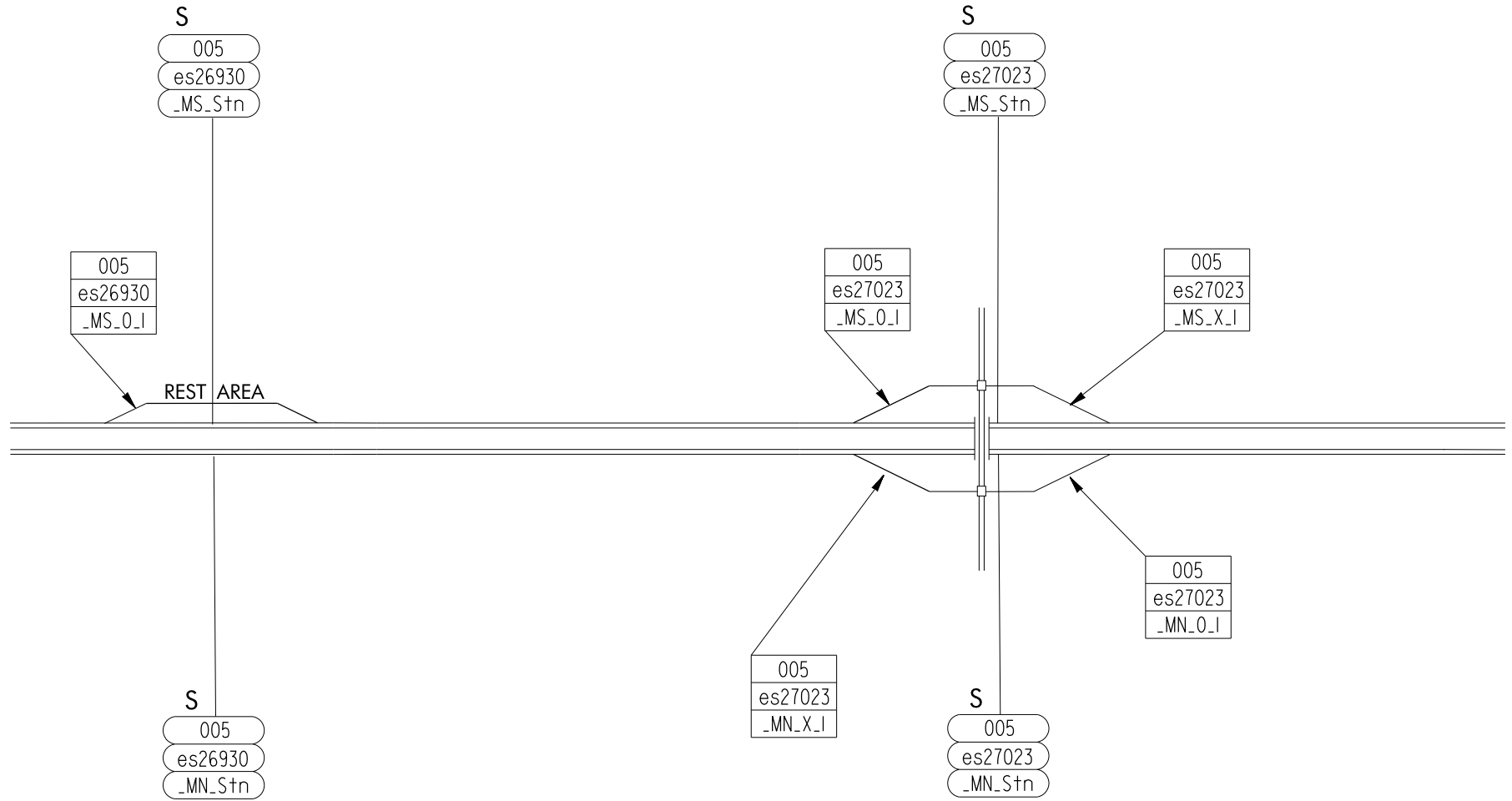
EXIT 266
SR 548
GRANDVIEW RD

NORTHBOUND CUSTER REST AREA



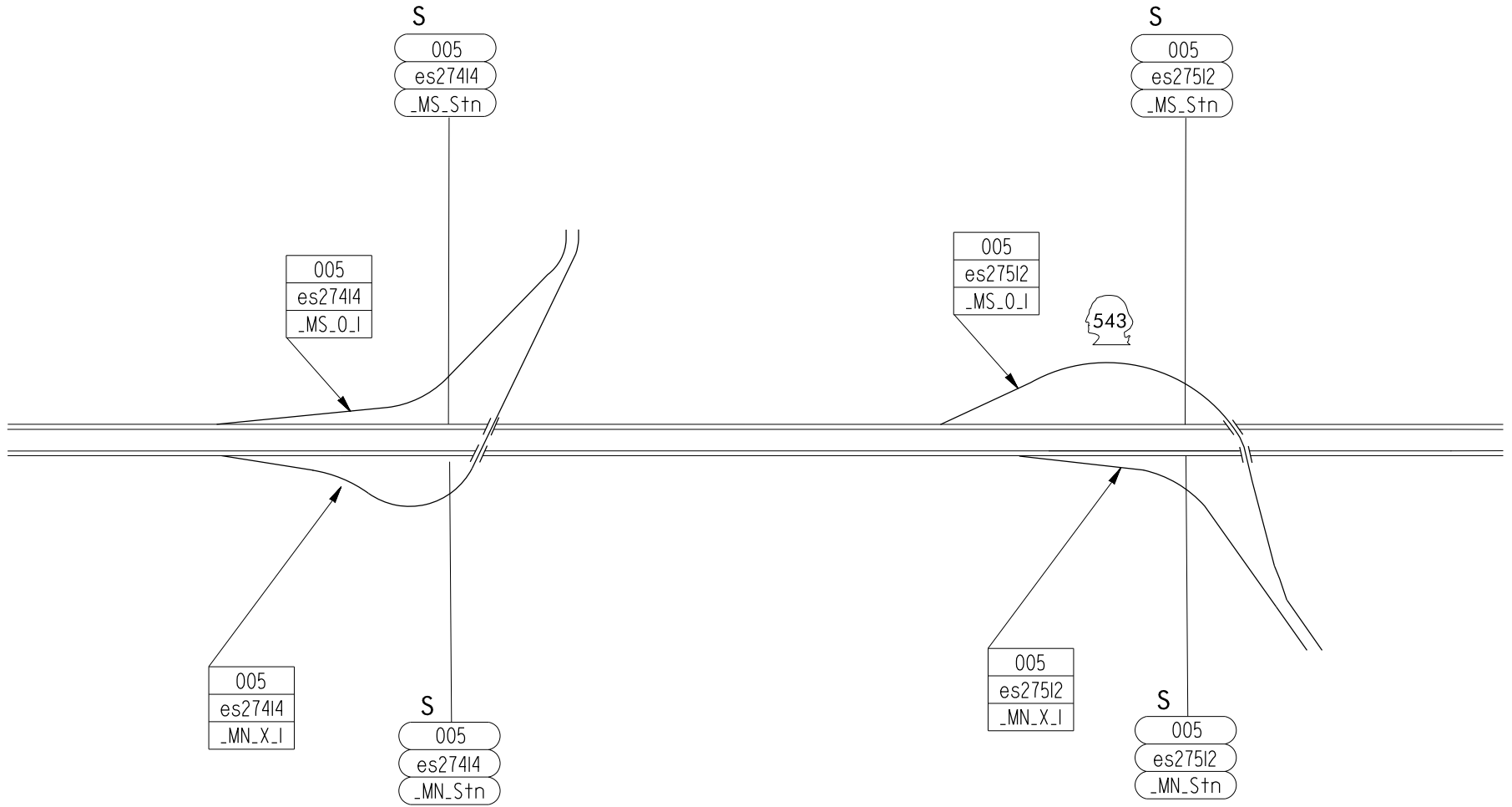
SOUTHBOUND CUSTER REST AREA

EXIT 270
BIRCH BAY LYNDEN RD



EXIT 274
PEACE PORTAL DR

EXIT 275
SR 543

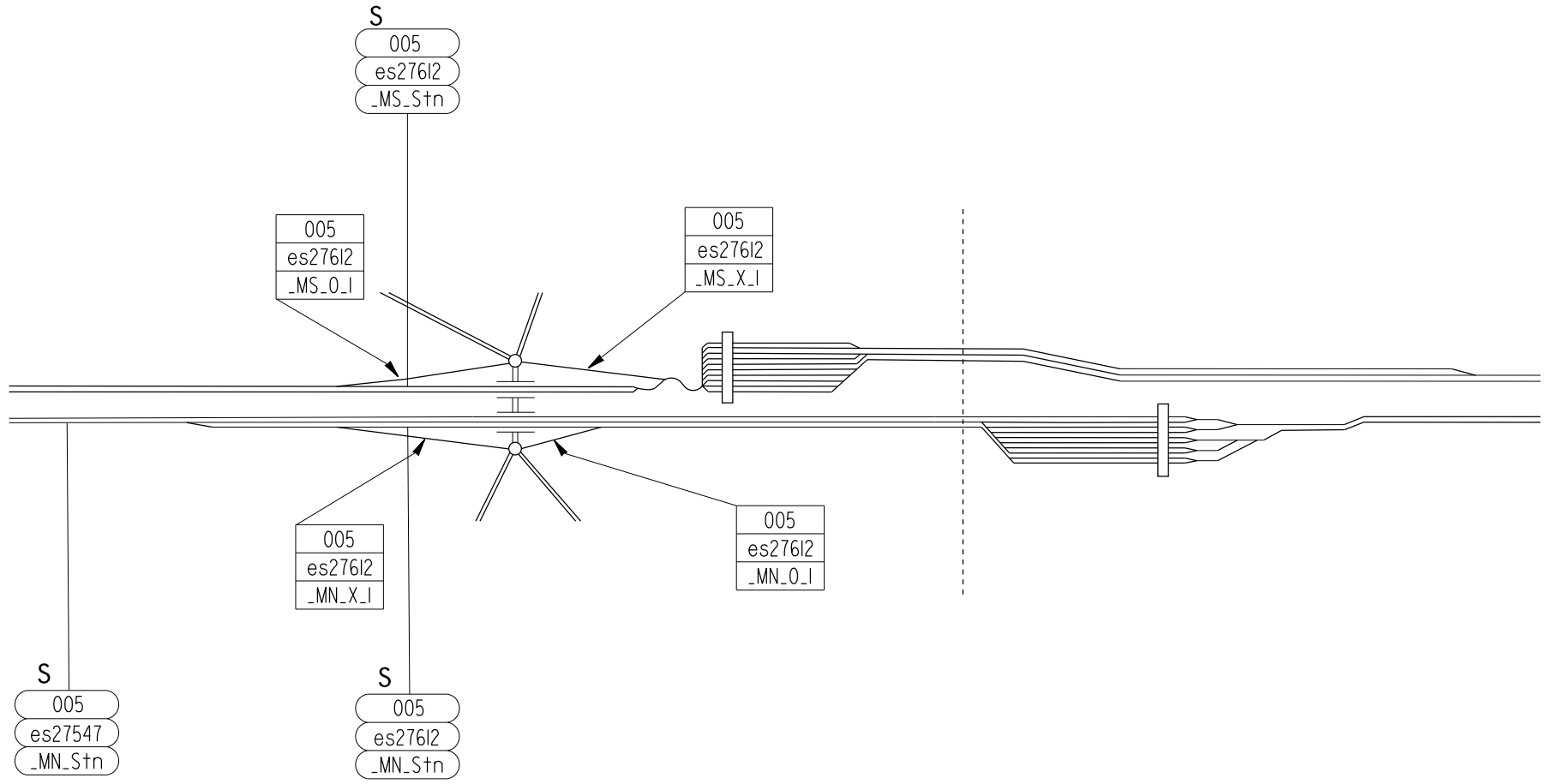


MITCHELL AVE

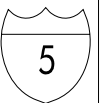
EXIT 276

D ST

US/CANADIAN BORDER



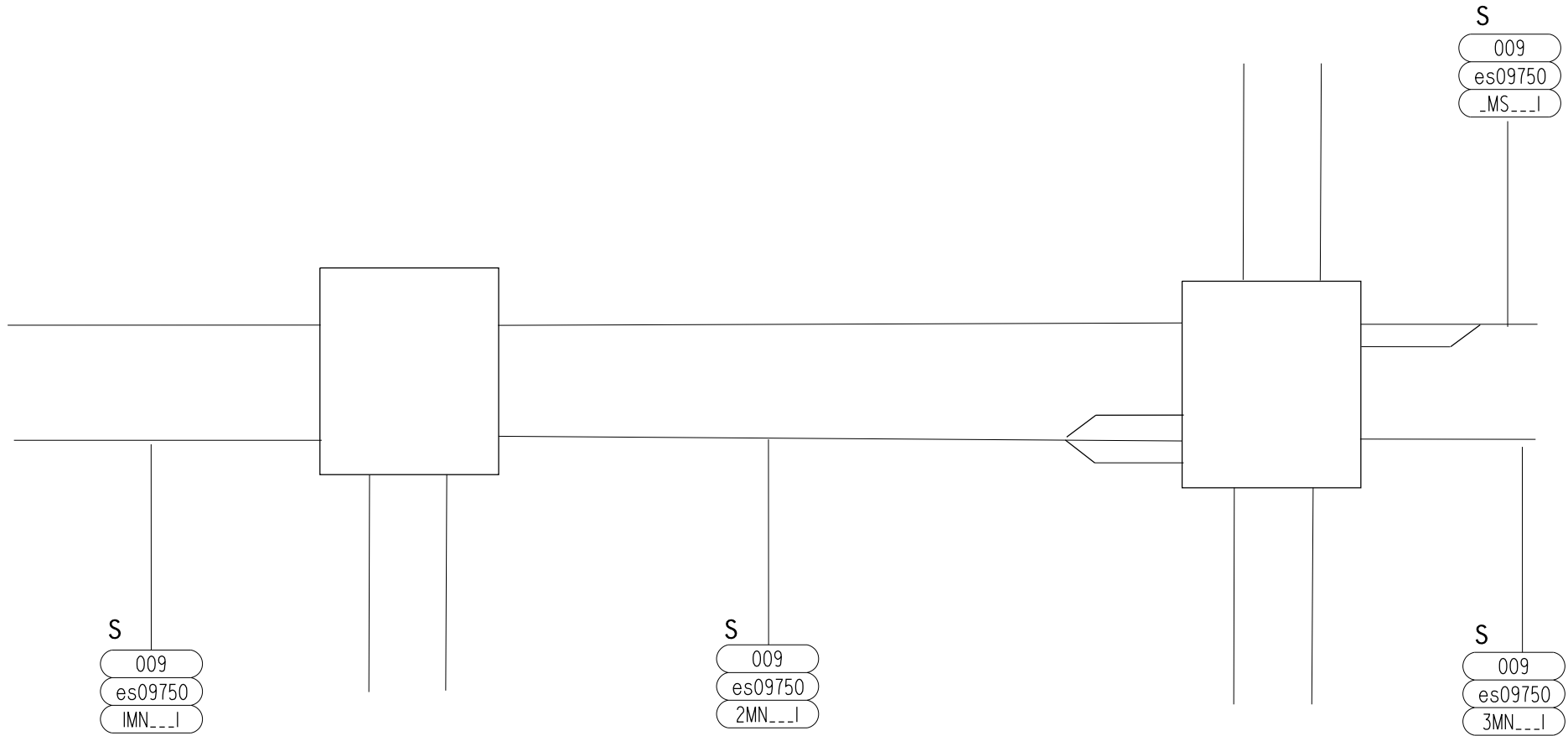
Washington State
Department of Transportation



10
OF
10

SUMAS AVE

FRONT ST



Washington State
Department of Transportation



1
OF
2



VANCOUVER ST

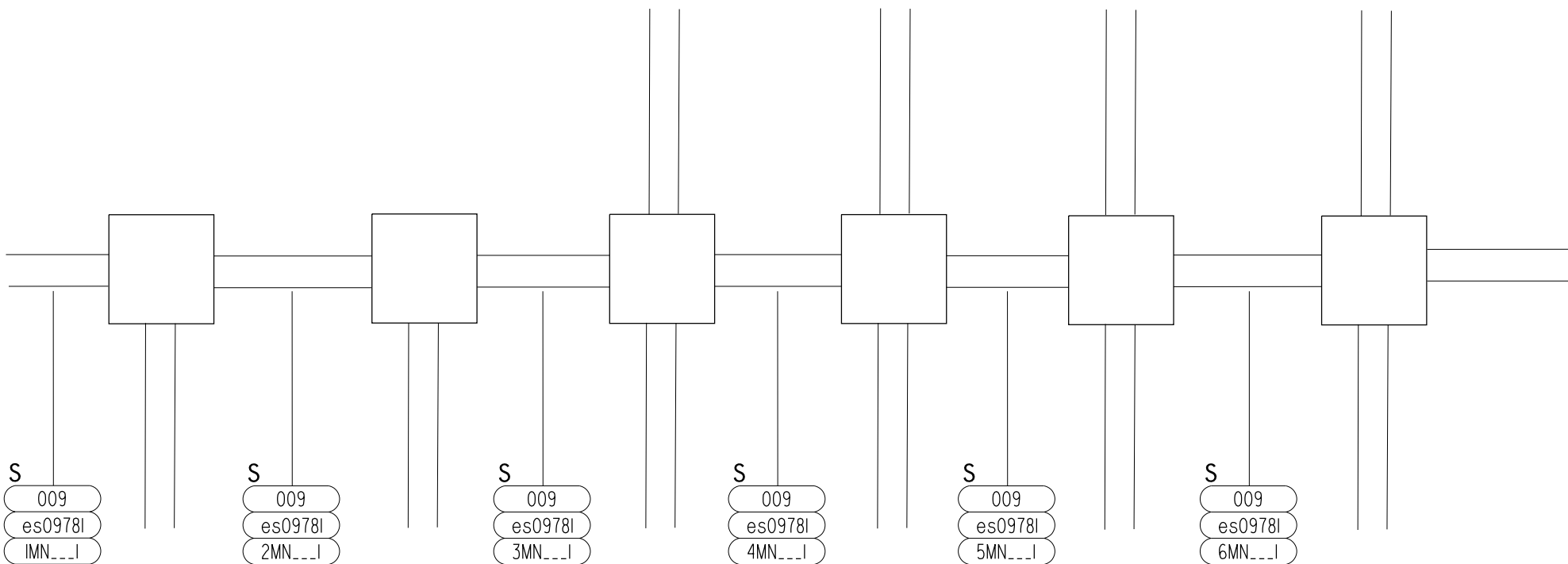
COLUMBIA ST

3RD ST

2ND ST

1ST ST

GARFIELD AVE



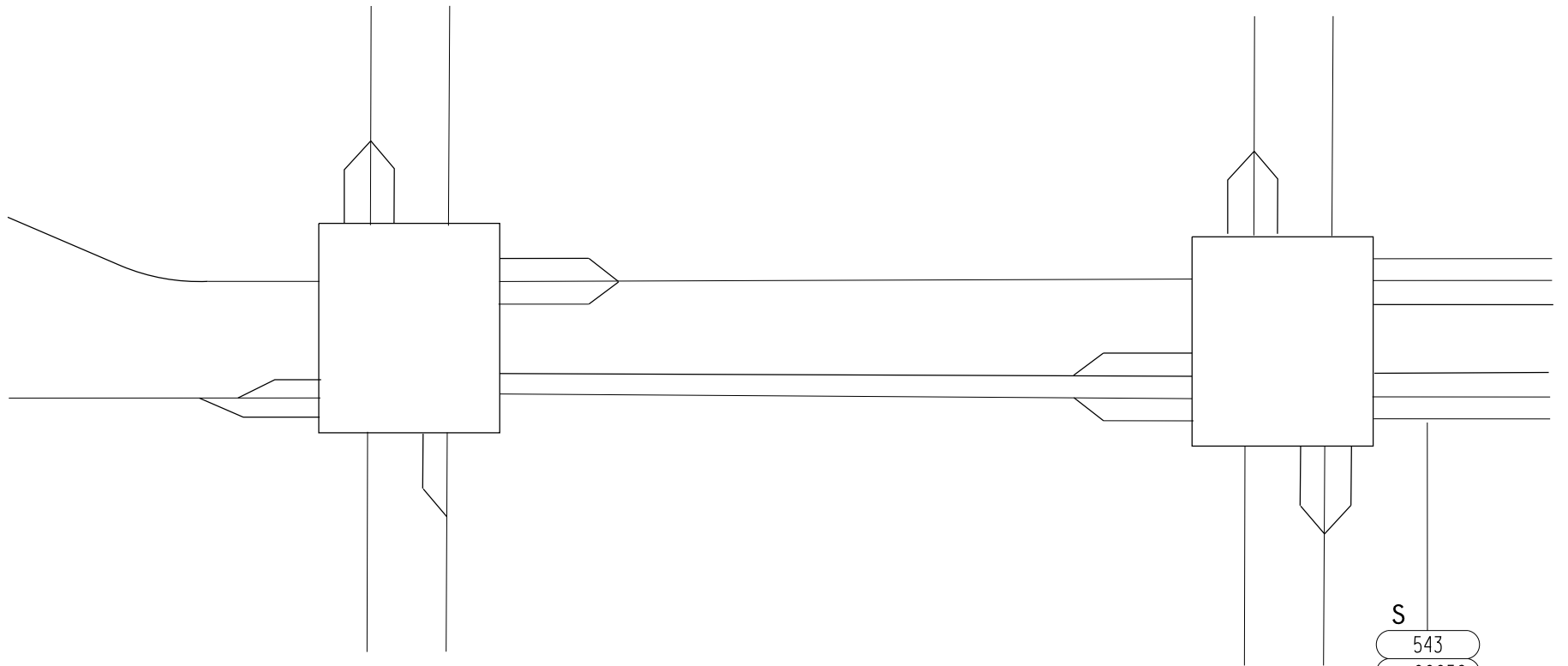
Washington State
Department of Transportation



2
OF
2

BOBLETT ST

H ST



S

543
es00056
_MN_Stn



Washington State
Department of Transportation



1
OF
2



D ST

