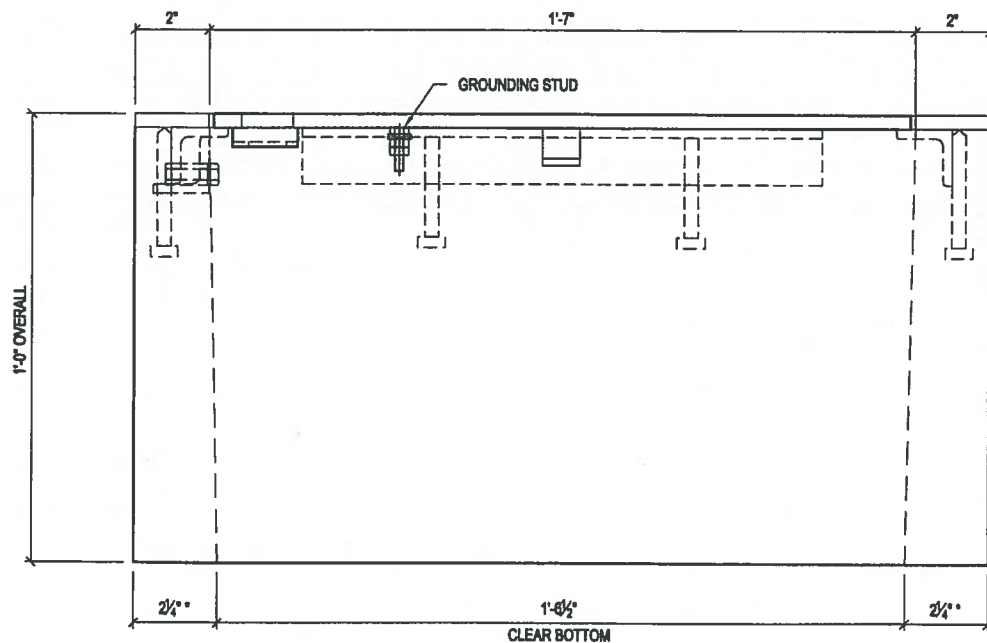
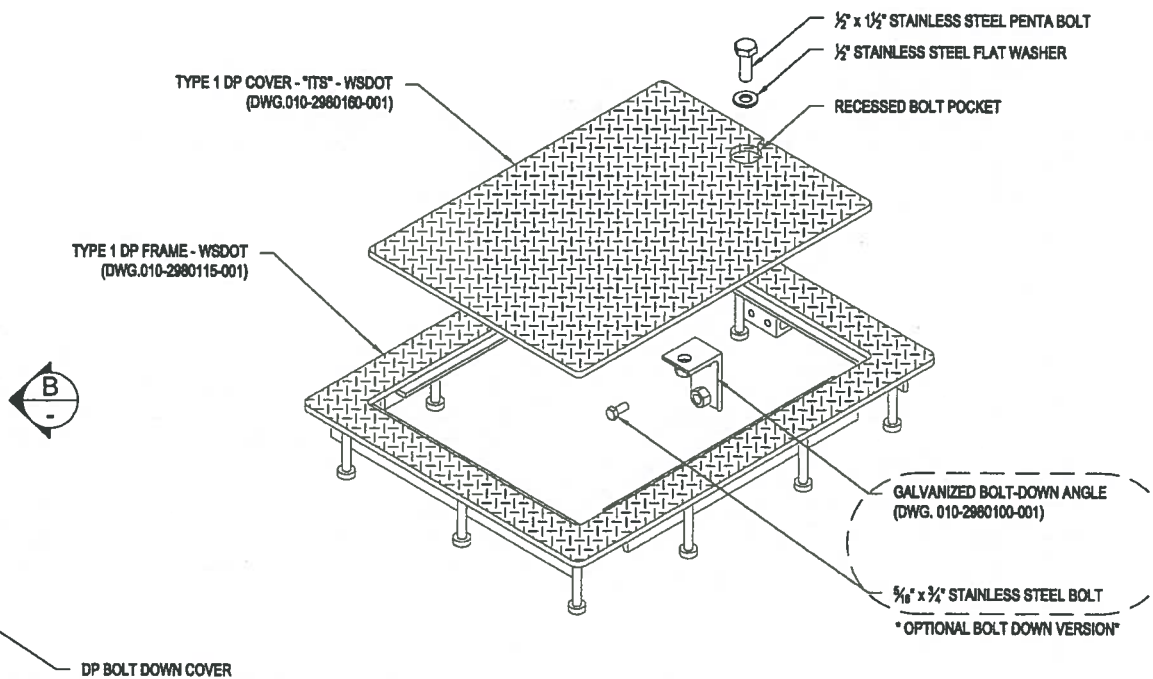


PLAN VIEW



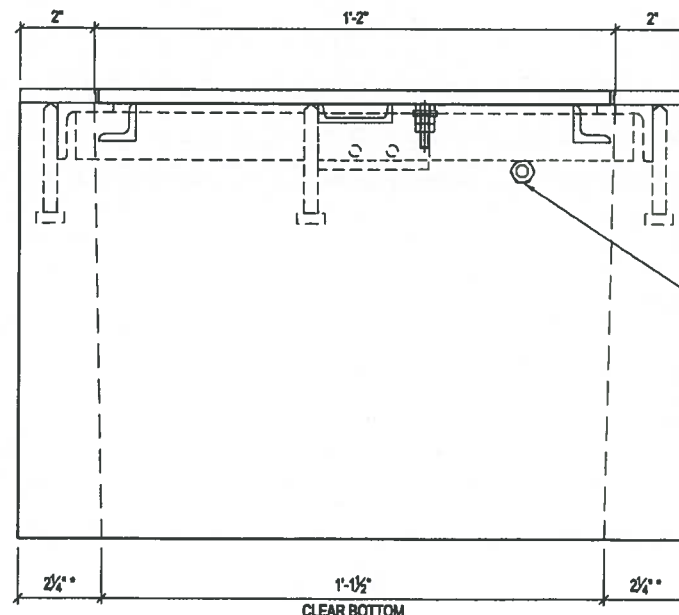
VIEW A



DOOR/FRAME ASSEMBLY DETAIL

APPROVED

Washington State Department of Transportation
 HQ Traffic Operations Office
 BY: [Signature] DATE: 12/6/2018

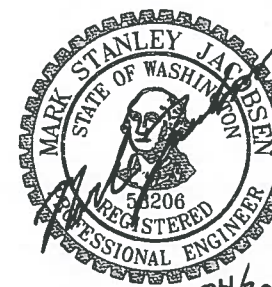


VIEW B

- STRUCTURAL NOTES**
1. CONCRETE: 28 DAY COMPRESSIVE STRENGTH $f_c = 4,000$ psi
 2. STEEL SHAPES: ASTM A-36 STRUCTURAL STEEL STANDARDS
 3. WWF: ASTM A-185 GRADE 65 (AASHTO M55)
 4. DESIGN: ACI-318-11 BUILDING CODE
 5. LOADS: ASTM C-857 "MINIMUM STRUCTURAL DESIGN LOADING FOR UNDERGROUND PRECAST CONCRETE UTILITY STRUCTURES"
 22,500 LBS TEST LOAD ACTING OVER A 10' X 10' AREA
 40 psf E.F.P. LATERAL SOIL PRESSURE
 113 psf LIVE LOAD SURCHARGE
 TOP OF JUNCTION BOX AT FINISHED GRADE
 WATERTABLE BELOW BOTTOM OF JUNCTION BOX (ASSUMED)

SHIPPING WEIGHT
 210 LBS

* WALL THICKNESS WITH 1/4" DRAFT SHOWN
 ACTUAL WALL DIMENSION 2 3/4"



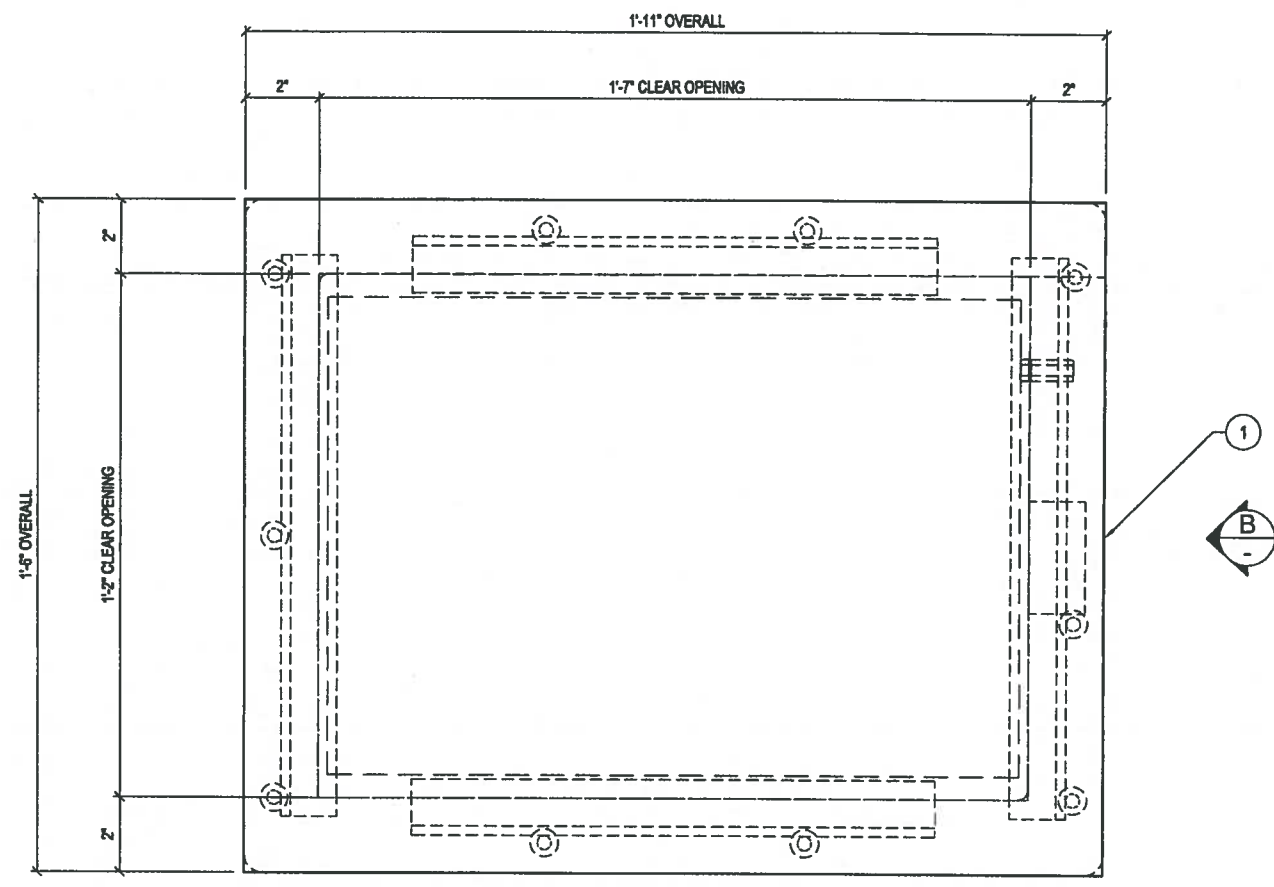
THIS DOCUMENT IS THE PROPERTY OF OLDCASTLE PRECAST, INC. IT IS CONFIDENTIAL, SUBMITTED FOR REFERENCE PURPOSES ONLY, AND SHALL NOT BE USED IN ANY WAY INJURIOUS TO THE INTERESTS OF, OR WITHOUT THE WRITTEN PERMISSION OF OLDCASTLE PRECAST, INC. COPYRIGHT © 2018 OLDCASTLE PRECAST, INC. ALL RIGHTS RESERVED.

TYPE 1 JUNCTION BOX w/ DP FRAME - WSDOT
 CUSTOMER LAYOUT

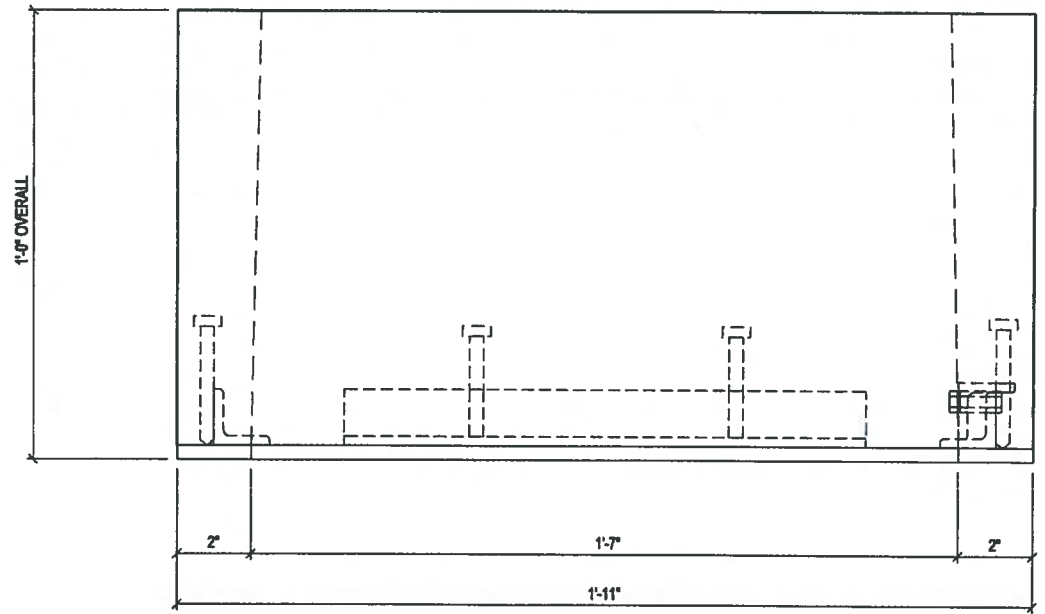
STANDARD PRODUCT
 CUSTOMER

DATE	SALES	DRAWN	ENGINEER	CHECKED	SALES ORDER
4/5/18		CJC			
DRAWING NUMBER			REVISION		SHEET
010-0650105-001			A		1 OF 3
			REV DATE		
			4/20/18		

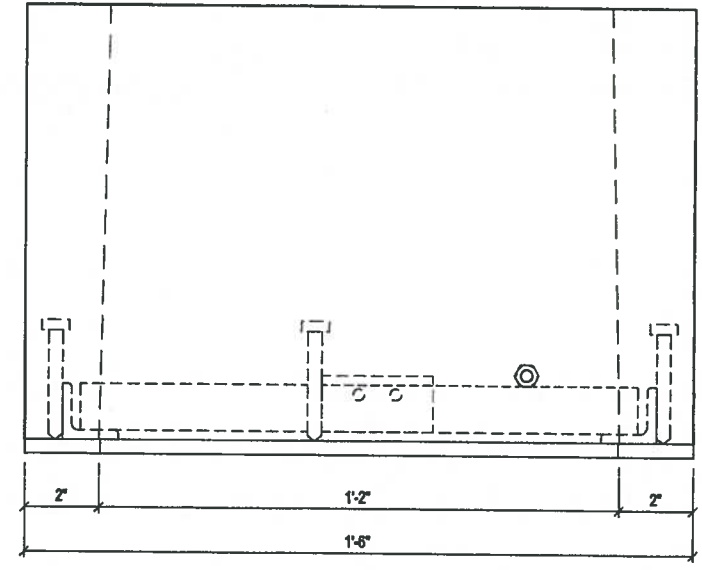
REVISION	DESCRIPTION	BY
A	REVISED BOLT DOWN COVER CALLOUT IN PLAN VIEW TO DP	CJC



PLAN VIEW
LAYOUT (SHOWN AS POURED)



VIEW A



VIEW B

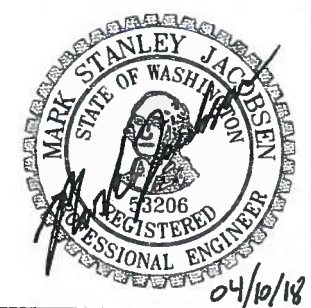
PRODUCT WEIGHT
150 LBS

- SHOP NOTES
1. USE "TYPE 1 JUNCTION BOX" STEEL FORM
 2. CONCRETE FINISH: FLAT FLOAT FINISH WITH MACHINED EDGES

BILL OF MATERIALS			
#	QUANTITY	DESCRIPTION	ITEM #
	0.04 yds	CONCRETE MIX - SCC	5010000
	5.33 sqf	MESH - (SQUARE FEET)	5500000
1	1 ea	TYPE 1 DP FRAME - WSDOT	2980115

APPROVED
Washington State Department of Transportation
HQ Traffic Operations Office
BY: [Signature] DATE: 12/6/2018

REVISION	DESCRIPTION	BY



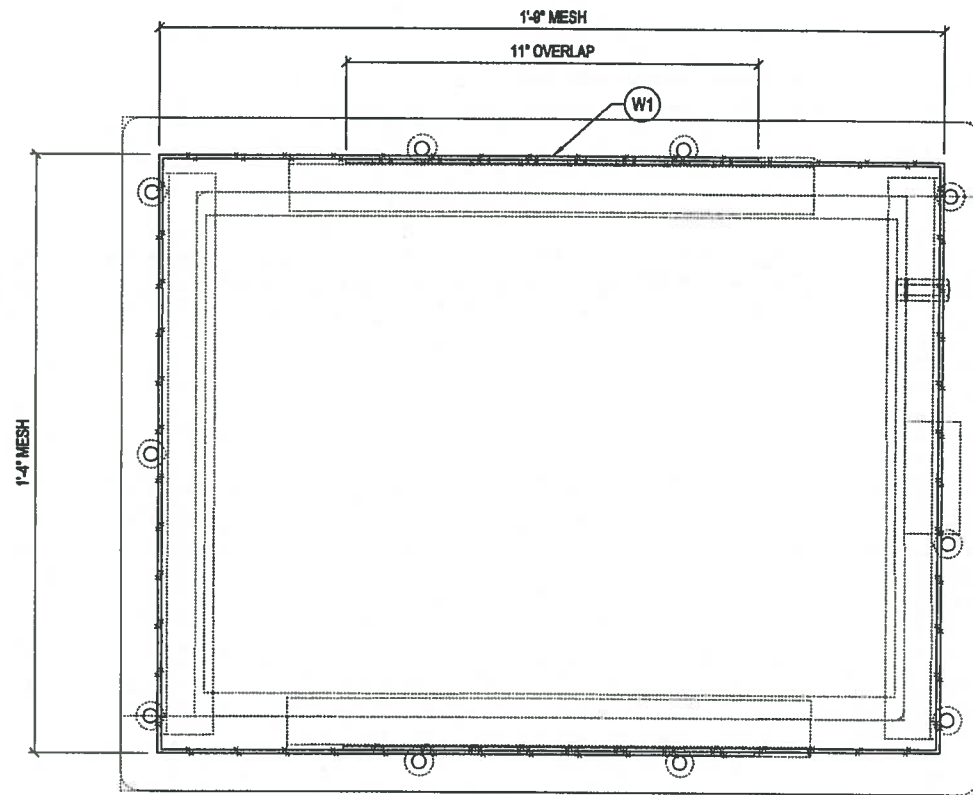
Oldcastle Precast
P.O. BOX 688 ALBURN WA 98071-0688
PHONE: 800-862-1839 FAX: 253-735-4201

THIS DOCUMENT IS THE PROPERTY OF OLDCASTLE PRECAST, INC. IT IS CONFIDENTIAL, SUBMITTED FOR REFERENCE PURPOSES ONLY, AND SHALL NOT BE USED IN ANY WAY HARMFUL TO THE INTERESTS OF, OR WITHOUT THE WRITTEN PERMISSION OF OLDCASTLE PRECAST, INC. COPYRIGHT © 2018 OLDCASTLE PRECAST, INC. ALL RIGHTS RESERVED.

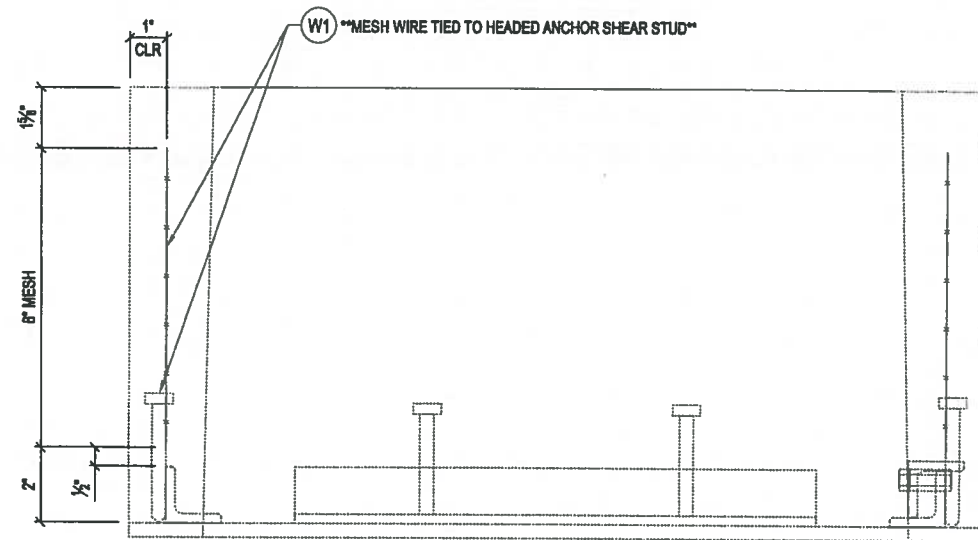
TYPE 1 JUNCTION BOX w/ DP FRAME - WSDOT
LAYOUT DETAILS

STANDARD PRODUCT
CUSTOMER

DATE 4/5/18	SALES CJC	DRAWN CJC	ENGINEER	CHECKED	SALES ORDER
DRAWING NUMBER 010-0650105-001			REVISION REV DATE	SHEET 2 OF 3	

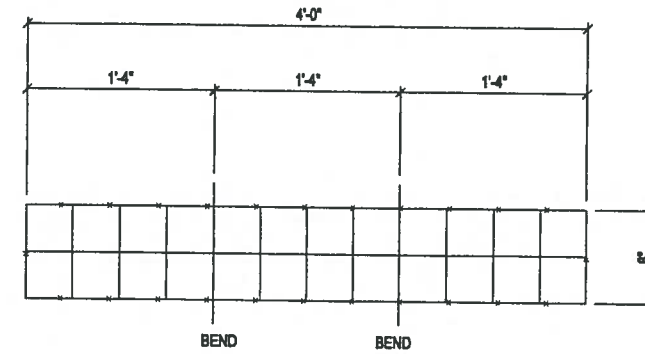


PLAN VIEW
REINFORCEMENT (SHOWN AS POURED)



VIEW A

REINFORCEMENT CUT LIST				
#	QTY	MATERIAL	LENGTH	SHAPE
W1	2	MESH 4X4 - W2.9 X W2.9		BENT



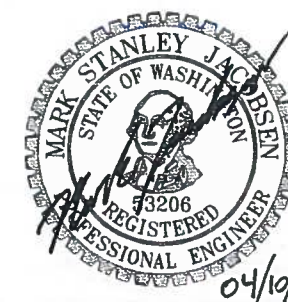
W1 DETAIL
(OVERLAP = 11")

APPROVED

Washington State Department of Transportation
HQ Traffic Operations Office

BY: [Signature] DATE: 12/6/2018

REVISION	DESCRIPTION	BY



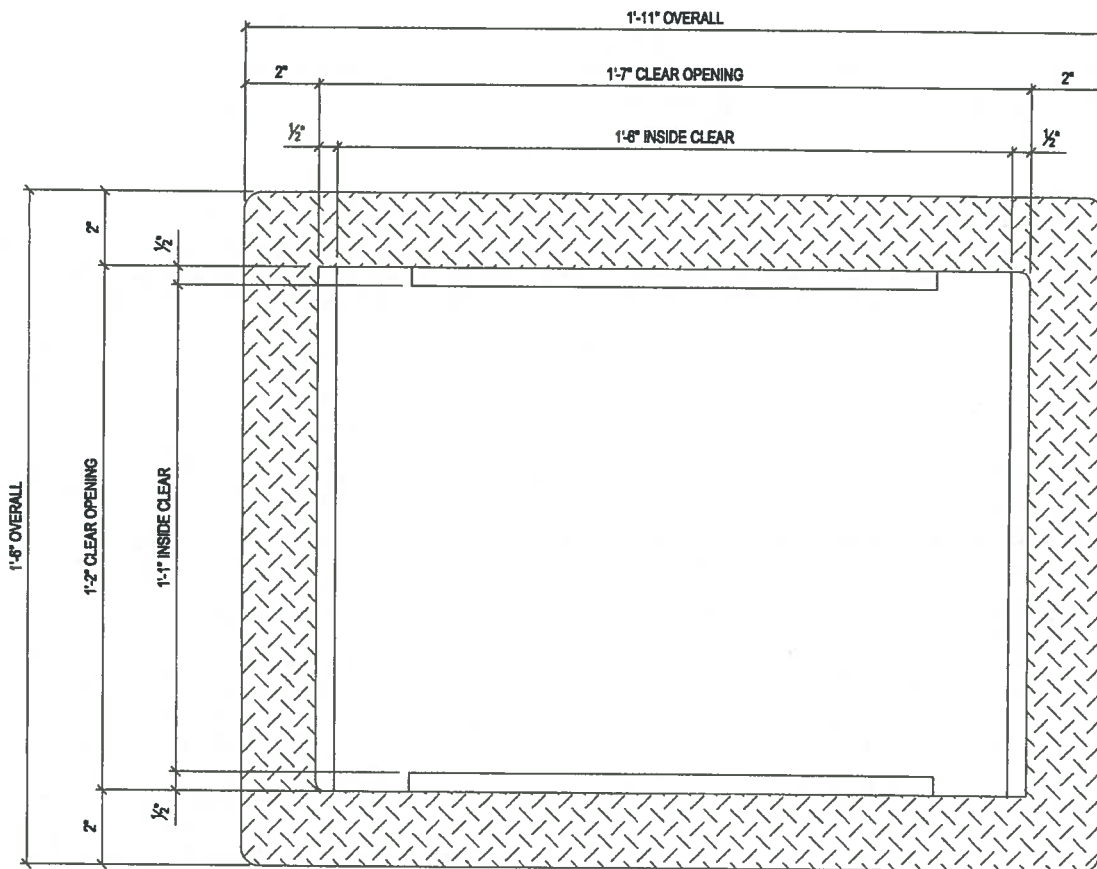
THIS DOCUMENT IS THE PROPERTY OF OLDCASTLE PRECAST, INC. IT IS CONFIDENTIAL, SUBMITTED FOR REFERENCE PURPOSES ONLY, AND SHALL NOT BE USED IN ANY WAY INJURIOUS TO THE INTERESTS OF, OR WITHOUT THE WRITTEN PERMISSION OF OLDCASTLE PRECAST, INC. COPYRIGHT © 2018 OLDCASTLE PRECAST, INC. ALL RIGHTS RESERVED.

TYPE 1 JUNCTION BOX w/ DP FRAME - WSDOT
REINFORCEMENT DETAILS

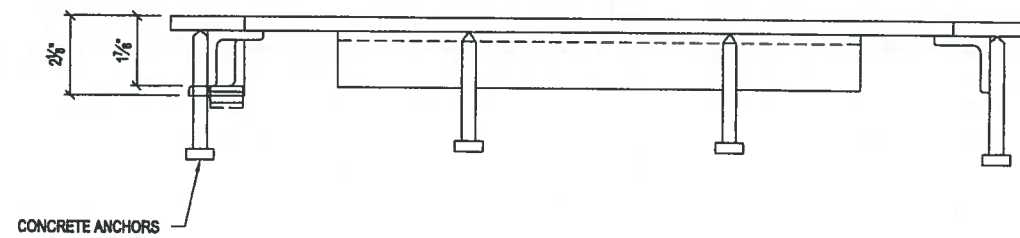
STANDARD PRODUCT

CUSTOMER

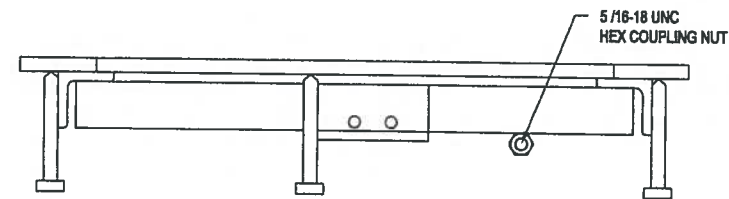
DATE	SALES	DRAWN	ENGINEER	CHECKED	SALES ORDER
4/5/18		CJC			
DRAWING NUMBER					BHEET
010-0650105-001					3 OF 3
REV DATE					



PLAN VIEW



VIEW A



VIEW B

- STRUCTURAL NOTES**
1. PLATE: ASTM A788 STRUCTURAL STEEL STANDARDS
 2. STEEL SHAPES: ASTM A-36 STRUCTURAL STEEL STANDARDS
 3. ASSEMBLY: AWS D1.1 WELDING STANDARDS
 4. COATING: ASTM A123 HOT-DIP GALVANIZING STANDARDS

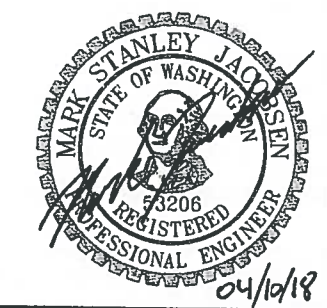
- GENERAL NOTES**
1. DOORS AVAILABLE TO USE WITH THIS FRAME:
 2980160 - (TYPE 1 DP COVER - "ITS" -WSDOT)
 2980162 - (TYPE 1 DP COVER - "COMM" -WSDOT)
 2980164 - (TYPE 1 DP COVER - "LT" -WSDOT)
 2980166 - (TYPE 1 DP COVER - "TS" -WSDOT)
 2980168 - (TYPE 1 DP COVER - "TEL" -WSDOT)

APPROVED

Washington State Department of Transportation
 HQ Traffic Operations Office

BY: [Signature] DATE: 12/6/2018

REVISION	DESCRIPTION	BY



Oldcastle Precast®
 P.O. BOX 688 ALBUQUERQUE, NM 87071-0688
 PHONE: 505-882-1828 FAX: 505-785-4291

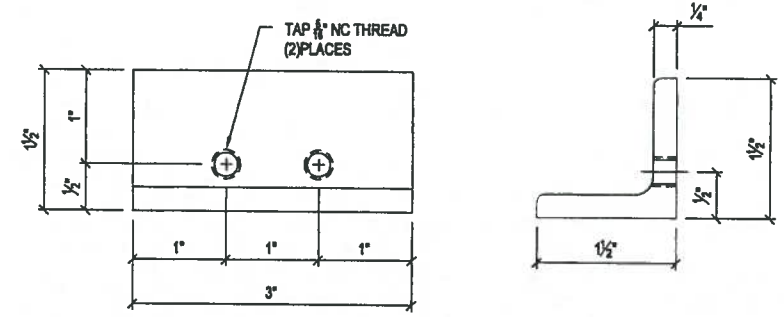
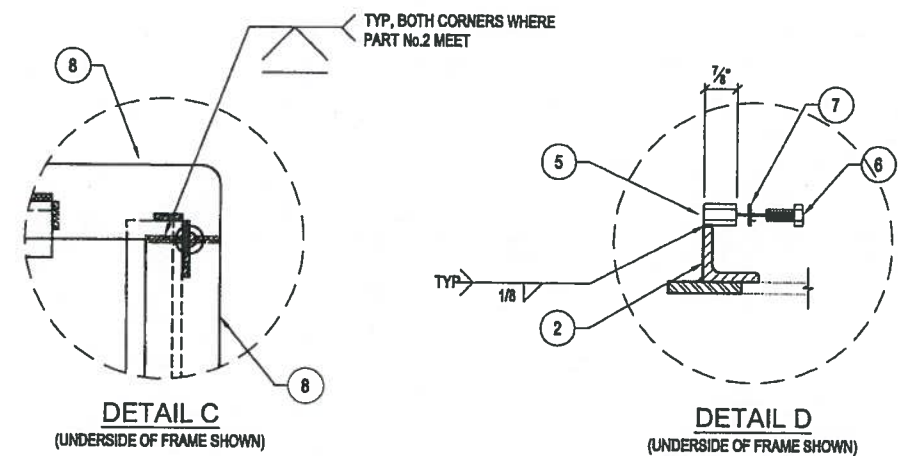
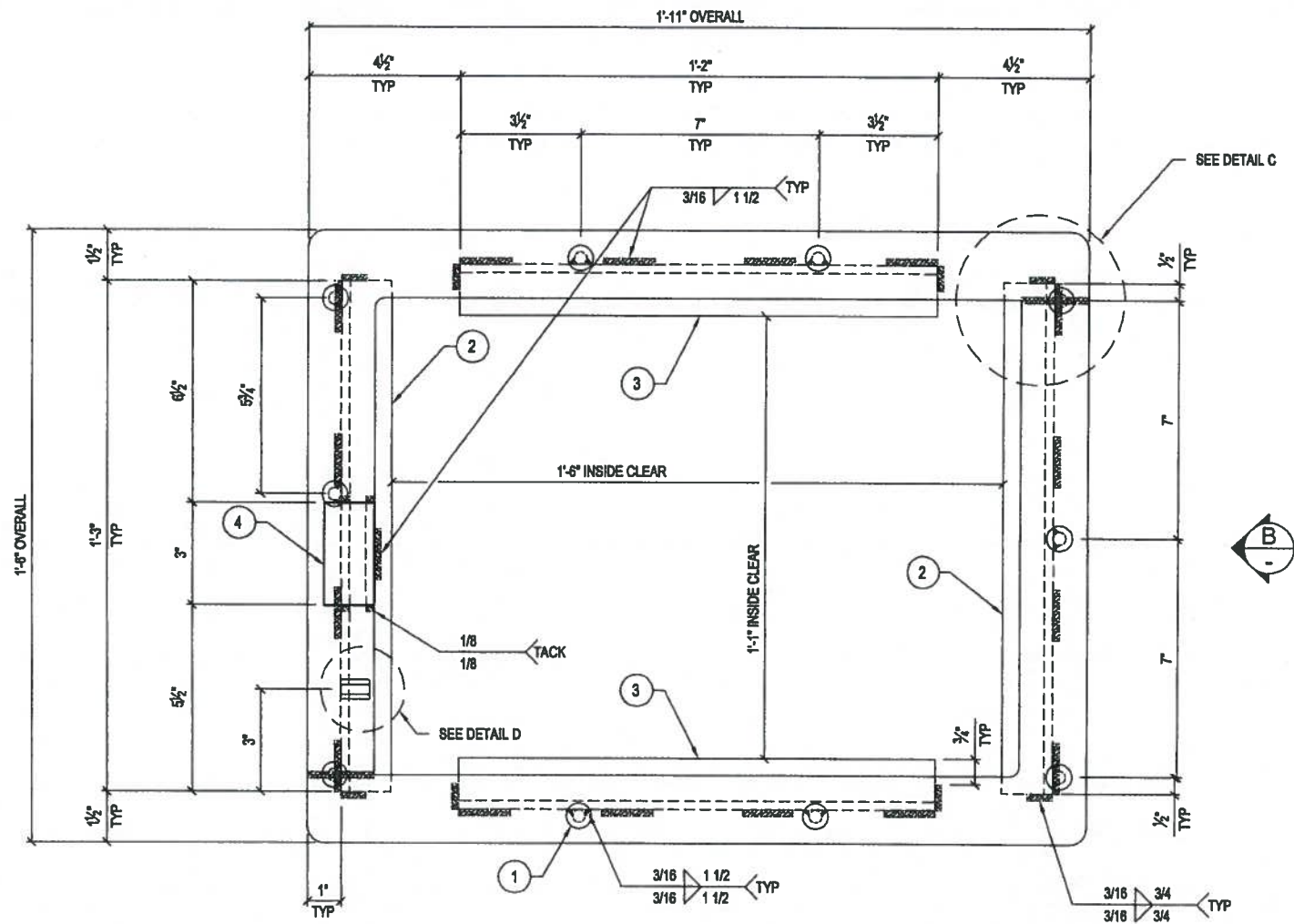
THIS DOCUMENT IS THE PROPERTY OF OLDCASTLE PRECAST, INC. IT IS CONFIDENTIAL, SUBMITTED FOR REFERENCE PURPOSES ONLY, AND SHALL NOT BE USED IN ANY WAY INJURIOUS TO THE INTERESTS OF, OR WITHOUT THE WRITTEN PERMISSION OF OLDCASTLE PRECAST, INC. COPYRIGHT © 2018 OLDCASTLE PRECAST, INC. ALL RIGHTS RESERVED.

TYPE 1 DP FRAME - WSDOT
 CUSTOMER LAYOUT

STANDARD PRODUCT
 CUSTOMER

DATE	SALES	DRAWN	ENGINEER	CHECKED	SALES ORDER
4/5/18		CJC			

DRAWING NUMBER: 010-2980115-001
 SHEET: 1 OF 2



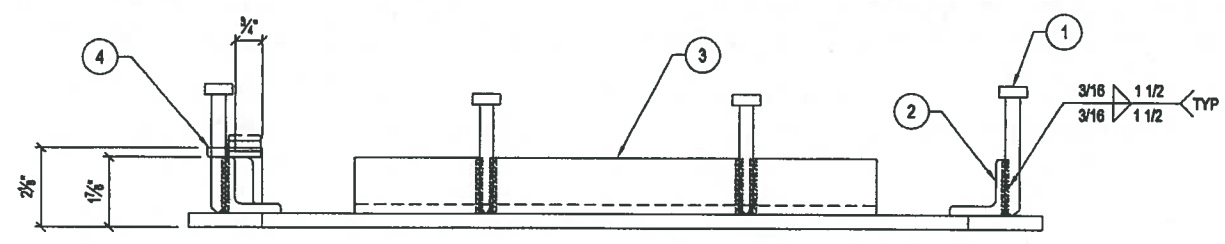
A
PLAN VIEW

APPROVED
Washington State Department of Transportation
HQ Traffic Operations Office
BY: *[Signature]* DATE: 12/6/2018

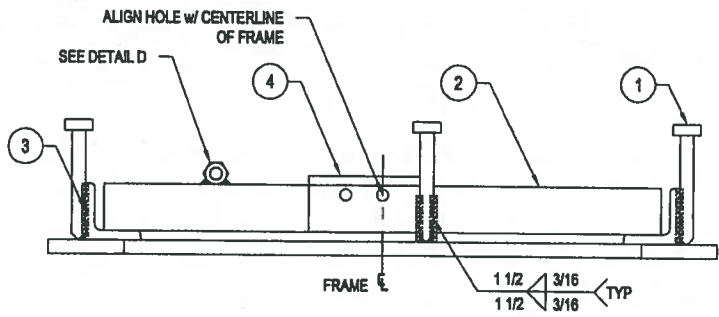
- SHOP NOTES
- OVERALL DIMENSIONS HAVE A TOLERANCE OF $\pm 1/16$ "
 - ALL WELDS ARE $3/16$ " FILLET UNLESS OTHERWISE NOTED
 - GRIND ALL SHARP EDGES
 - FRAME TO BE HOT DIPPED GALVANIZED AFTER FABRICATION
 - WEIGHT BEFORE GALVANIZING: 56 lbs
 - PART 8 MAY BE SINGLE PIECE IN LIEU OF 2 PIECE FRAME

BILL OF MATERIALS			
#	QUANTITY	DESCRIPTION	ITEM #
1	10 ea	STUD 3/8" X 3-1/8"	5910455
	11.70 lbs	ANGLE 1-1/2" X 1-1/2" X 1/4"	5510211
	56 lbs	GALVANIZING PER LB.	5800000
5	1 ea	5/16" x 7/8" COUPLING NUT - SS	5182032
6	1 ea	5/16" x 3/4" HEX CAP SCREW - SS	5182033
7	3 ea	5/16" FLAT WASHER - SS	5182034
8	2 ea	DIAMOND PLATE 3/8" - TYPE 1 FRAME PIECE	5541000

LAYOUT CUT LIST			
#	QUANTITY	DESCRIPTION	SIZE
2	2 ea	ANGLE 1- 1/2" x 1- 1/2" x 1/4"	15"
3	2 ea	ANGLE 1- 1/2" x 1- 1/2" x 1/4"	14"
4	1 ea	ANGLE 1- 1/2" x 1- 1/2" x 1/4"	SHT 2

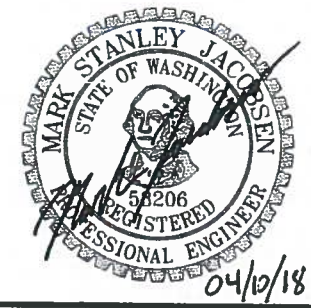


VIEW A



VIEW B

REVISION	DESCRIPTION	BY



Oldcastle Precast
P.O. BOX 298 ALBUQU, WA 98071-0298
PHONE: 800-802-1538 FAX: 253-735-4301

THIS DOCUMENT IS THE PROPERTY OF OLDCASTLE PRECAST, INC. IT IS CONFIDENTIAL, SUBMITTED FOR REFERENCE PURPOSES ONLY, AND SHALL NOT BE USED IN ANY MANNER TO THE INTERESTS OF, OR WITHOUT THE WRITTEN PERMISSION OF OLDCASTLE PRECAST, INC. COPYRIGHT © 2018 OLDCASTLE PRECAST, INC. ALL RIGHTS RESERVED.

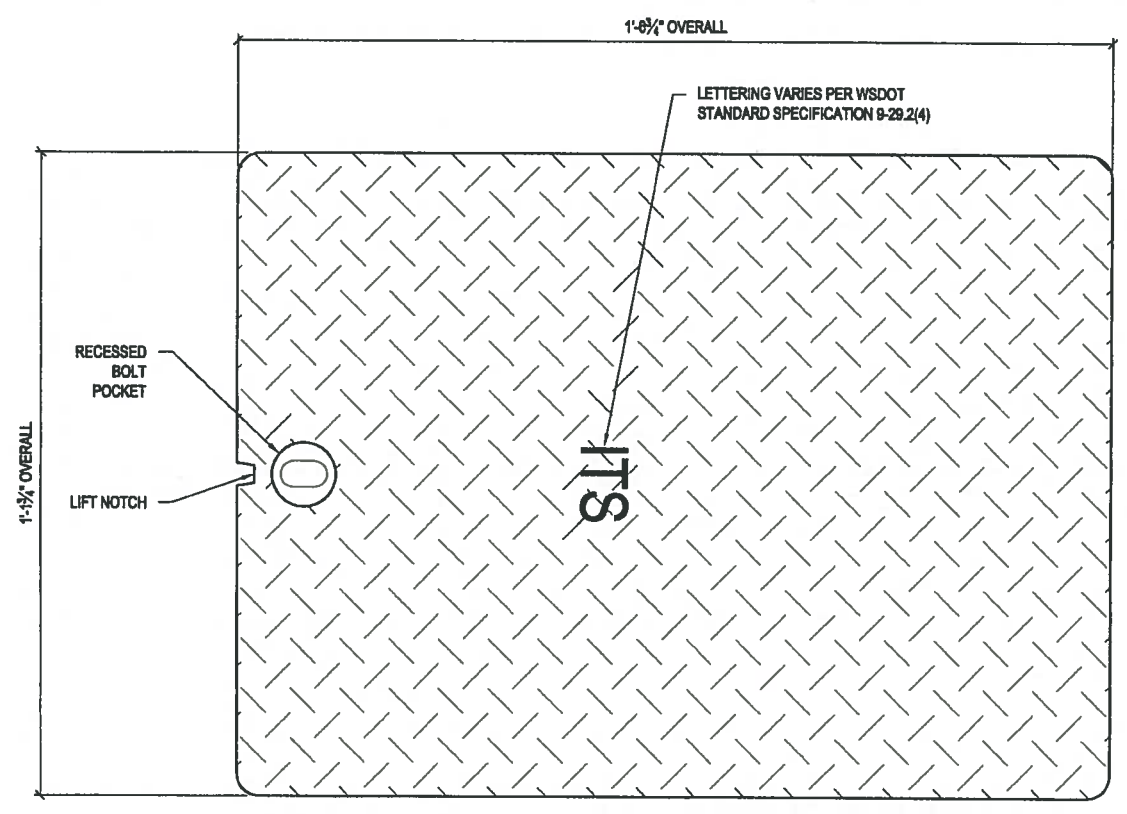
TYPE 1 DP FRAME - WSDOT
ASSEMBLY & WELD DETAILS

STANDARD PRODUCT
CUSTOMER

DATE 4/5/18	SALES CJC	DRAWN CJC	ENGINEER	CHECKED	SALES ORDER
DRAWING NUMBER 010-2980115-001			REVISION	SHEET	
			REV DATE	2 OF 2	

- STRUCTURAL NOTES**
1. PLATE: ASTM A786 STRUCTURAL STEEL STANDARDS
 2. STEEL SHAPES: ASTM A-36 STRUCTURAL STEEL STANDARDS
 3. ASSEMBLY: AWS D1.1 WELDING STANDARDS
 4. COATING: ASTM A123 HOT-DIP GALVANIZING STANDARDS

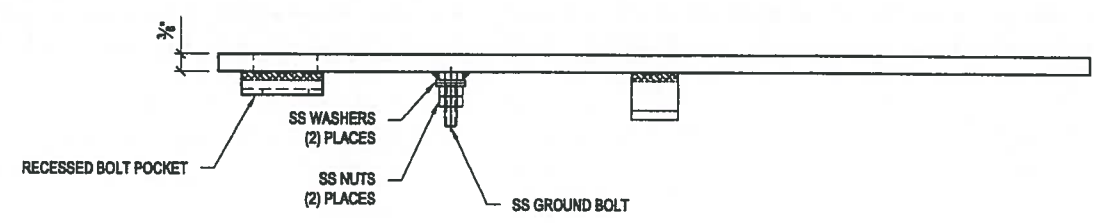
- GENERAL NOTES**
1. FRAMES AVAILABLE TO USE WITH THIS DOOR:
2980115 (TYPE 1 DP FRAME - WSDOT)
 2. AVAILABLE DOOR LETTERING:
2980162 - (TYPE 1 DP COVER - "COMM" - WSDOT)
2980164 - (TYPE 1 DP COVER - "LT" - WSDOT)
2980166 - (TYPE 1 DP COVER - "TS" - WSDOT)
2980168 - (TYPE 1 DP COVER - "TEL" - WSDOT)



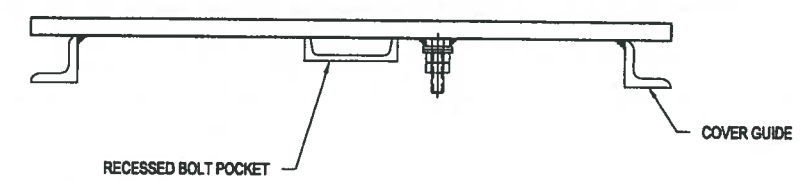
PLAN VIEW



APPROVED
 Washington State Department of Transportation
 HQ Traffic Operations Office
 BY: [Signature] DATE: 12/6/2018



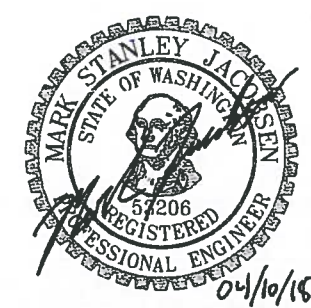
VIEW A



VIEW B

ENGINEERS SEAL:
 DOOR SHOP DRAWINGS REVIEWED FOR GENERAL CONFORMANCE TO THE INTENT OF WSDOT STANDARD PLAN J-40.10-04 ONLY. DOOR AND FRAME TO BE TESTED IN ACCORDANCE TO SECTION 9-29.2(5) OF THE WSDOT STANDARD SPECIFICATION TO ENSURE STRUCTURAL SUITABILITY.

REVISION	DESCRIPTION	BY



Oldcastle Precast®
 P.O. BOX 698 ALBUQUERQUE, NM 80071-0698
 PHONE: 800-482-1538 FAX: 203-738-4201

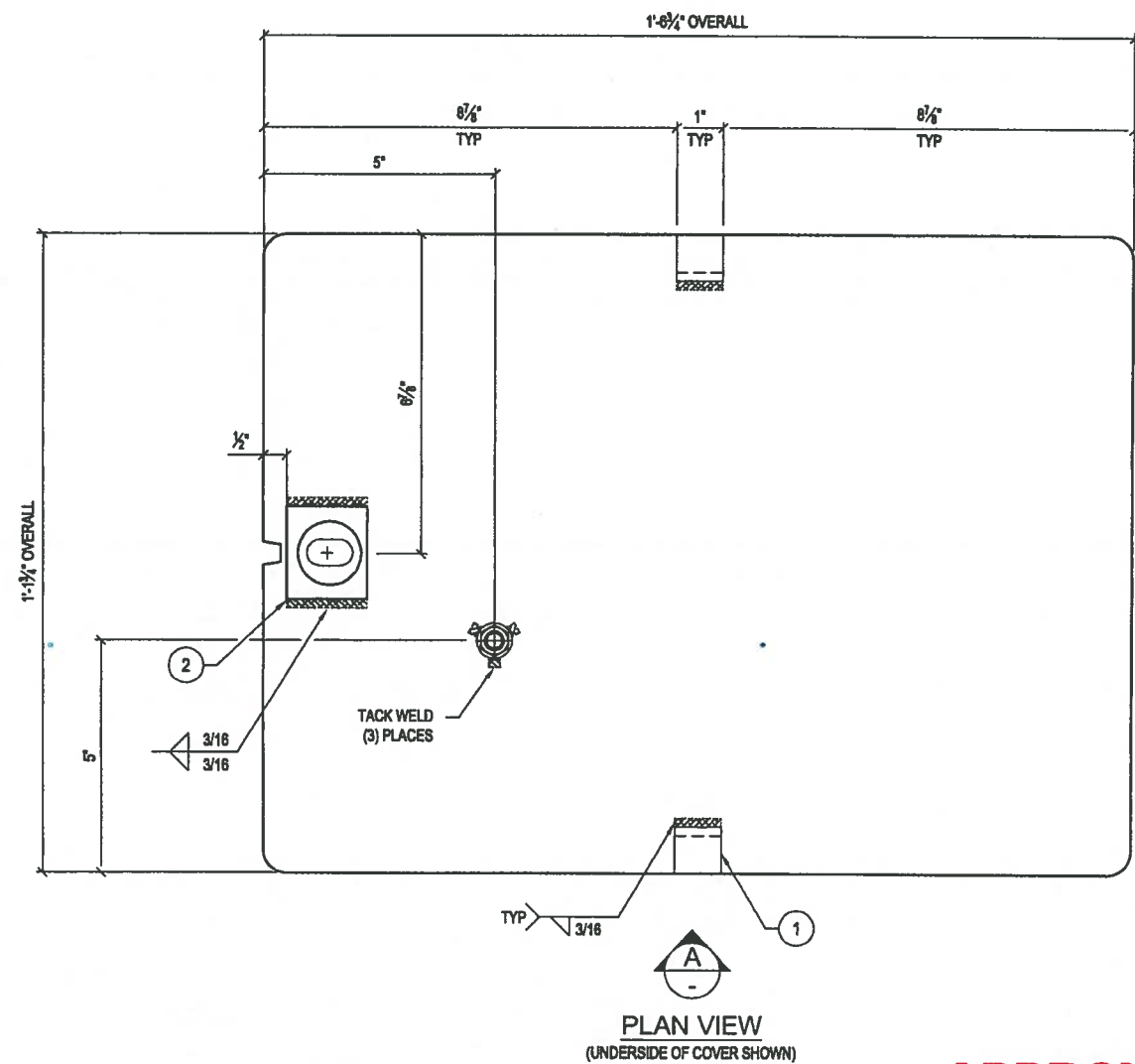
THIS DOCUMENT IS THE PROPERTY OF OLDCASTLE PRECAST, INC. IT IS CONFIDENTIAL, SUBMITTED FOR REFERENCE PURPOSES ONLY, AND SHALL NOT BE USED IN ANY WAY WITHOUT THE WRITTEN PERMISSION OF OLDCASTLE PRECAST, INC. COPYRIGHT © 2018 OLDCASTLE PRECAST, INC. ALL RIGHTS RESERVED.

TYPE 1 DP COVER - "ITS" - WSDOT
 CUSTOMER LAYOUT

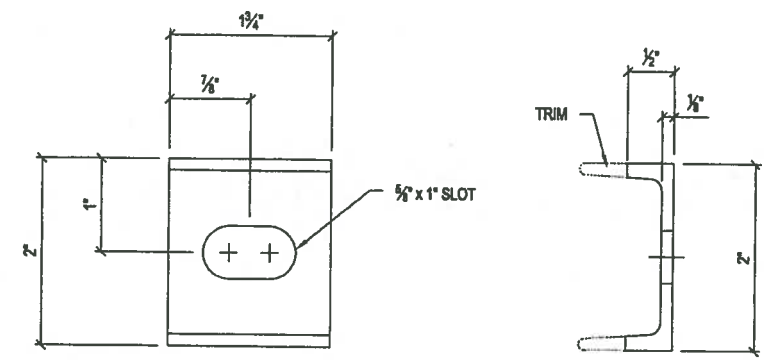
STANDARD PRODUCT

CUSTOMER

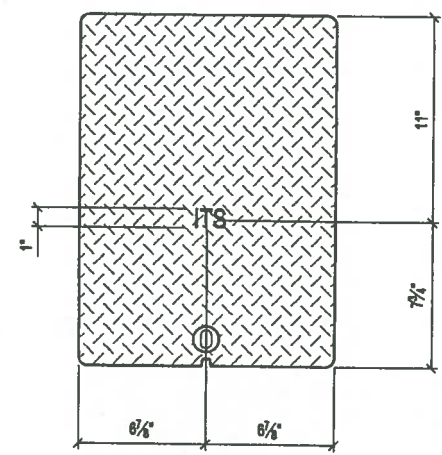
DATE 4/5/18	SALES CJC	DRAWN CJC	ENGINEER	CHECKED	SALES ORDER
DRAWING NUMBER 010-2980160-001			REVISION REV DATE	SHEET 1 OF 2	



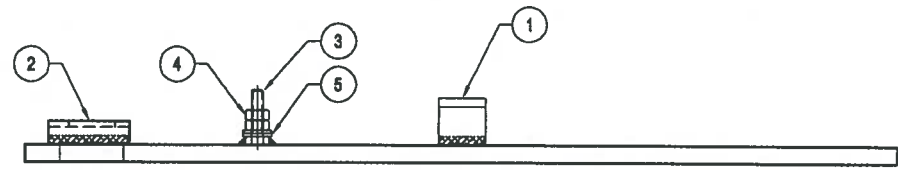
PLAN VIEW
(UNDERSIDE OF COVER SHOWN)



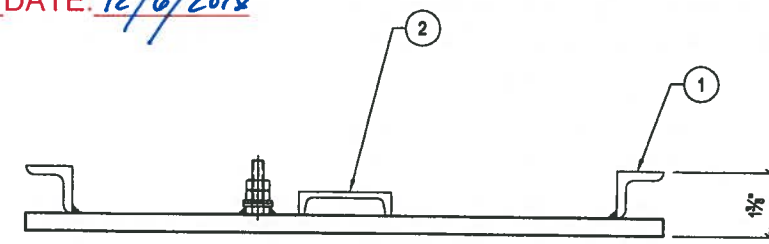
PART No. 2



LETTERING DETAIL



VIEW A



VIEW B

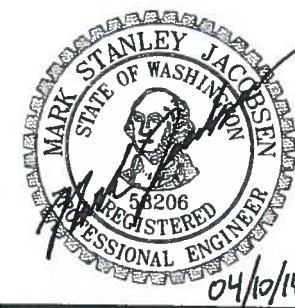
- SHOP NOTES
- OVERALL DIMENSIONS HAVE A TOLERANCE OF $\pm 1/16$ "
 - ALL WELDS ARE $3/16$ " FILLET UNLESS OTHERWISE NOTED
 - GRIND ALL SHARP EDGES
 - COVER TO BE HOT DIPPED GALVANIZED AFTER FABRICATION
 - WEIGHT BEFORE GALVANIZING: 30 lbs

BILL OF MATERIALS			
#	QUANTITY	DESCRIPTION	ITEM #
	1 ea	DIAMOND PLATE 3/8" - TYPE 1 BD COVER PLATE	5541005
	0.19 lbs	ANGLE 1" x 1" x 3/16"	5510200
	1 ea	CHANNEL 2" x 1" x 1/8"	5310045
	30 lbs	GALVANIZING PER Lb.	5800000
3	1 ea	1/4" -20 NC x 1" 18-8 SCREW - SS	5182029
4	2 ea	1/4" -20 NC FINISHED HEX NUT - SS	5182027
5	2 ea	1/4" 18-8 FLAT WASHER - SS	5182028

LAYOUT CUT LIST			
#	QUANTITY	DESCRIPTION	SIZE
1	2 ea	ANGLE 1" x 1" x 3/16"	0'-1"
2	1 ea	CHANNEL 2" x 1" x 1/8"	SHT 2

APPROVED
 Washington State Department of Transportation
 HQ Traffic Operations Office
 BY: [Signature] DATE: 12/6/2018

ENGINEERS SEAL:
 DOOR SHOP DRAWINGS REVIEWED FOR GENERAL CONFORMANCE TO THE INTENT OF WSDOT STANDARD PLAN J-40.10-04 ONLY. DOOR AND FRAME TO BE TESTED IN ACCORDANCE TO SECTION 9-29.2(5) OF THE WSDOT STANDARD SPECIFICATION TO ENSURE STRUCTURAL SUITABILITY.



Oldcastle Precast
 P.O. BOX 600 ALBUQUA, NM 8071-0200
 PHONE: 800-862-1638 FAX: 203-758-0291

THIS DOCUMENT IS THE PROPERTY OF OLDCASTLE PRECAST, INC. IT IS CONFIDENTIAL, SUBMITTED FOR REFERENCE PURPOSES ONLY, AND SHALL NOT BE USED IN ANYWAY INJURIOUS TO THE INTERESTS OF, OR WITHOUT THE WRITTEN PERMISSION OF OLDCASTLE PRECAST, INC. COPYRIGHT © 2010 OLDCASTLE PRECAST, INC. ALL RIGHTS RESERVED.

TYPE 1 DP COVER - "ITS" - WSDOT
 ASSEMBLY & WELD DETAILS

STANDARD PRODUCT
 CUSTOMER

DATE 4/5/18	SALES CJC	DRAWN CJC	ENGINEER	CHECKED	SALES ORDER
DRAWING NUMBER 010-2980160-001			REVISION	SHEET 2 OF 2	
			REV DATE		

REVISION	DESCRIPTION	BY