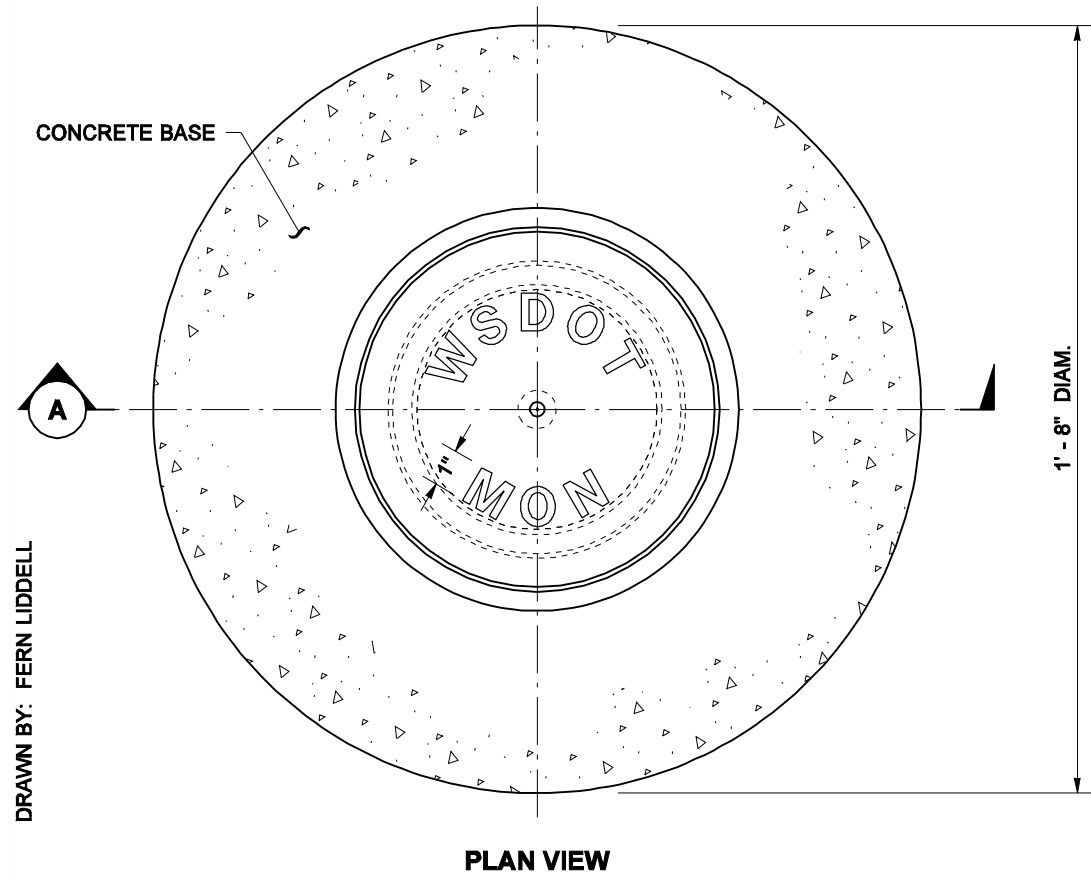
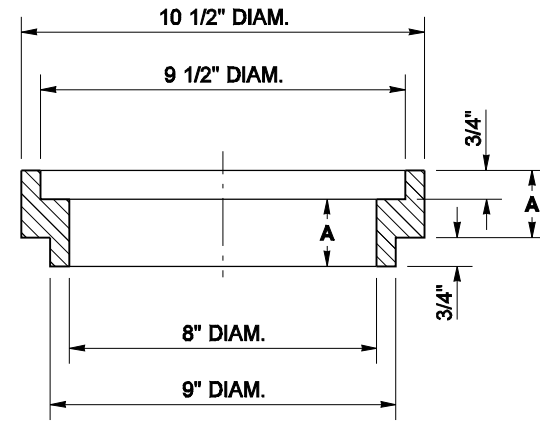


DRAWN BY: FERN LIDDELL

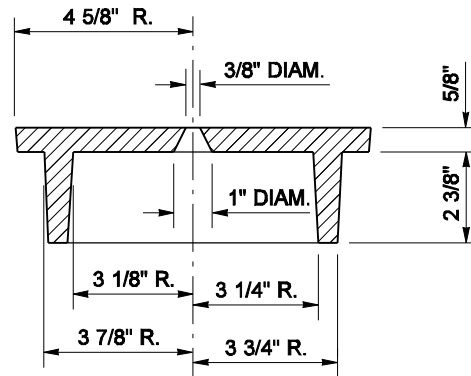


PLAN VIEW

RISER RING DIMENSIONS			
A (SIZE)	1 1/2"	2"	3"



SECTION
RISER RING

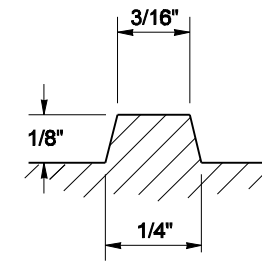


SECTION
COVER

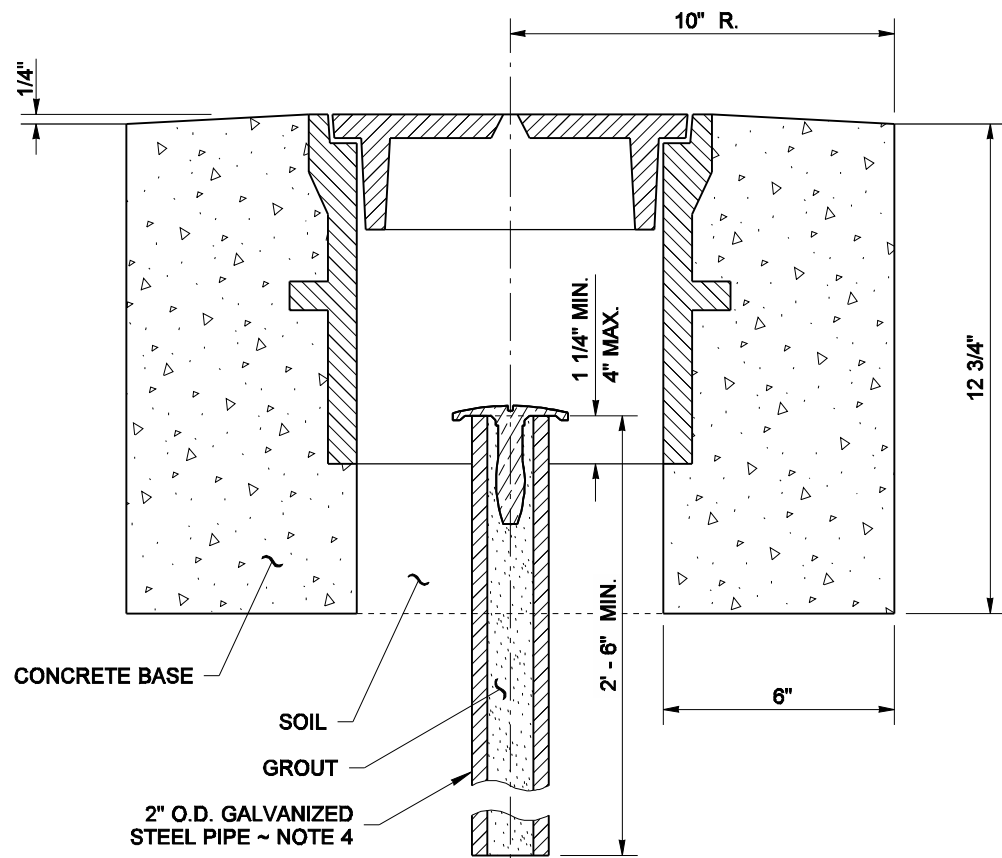
NOTES

1. Dimensions may vary according to manufacturer.
2. Base to be placed on a well compacted foundation.
3. Monument case to be installed by contractor.
4. See Standard Plan A-10.20 for Monument (brass disc) type to place in 2" O.D. galvanized pipe.

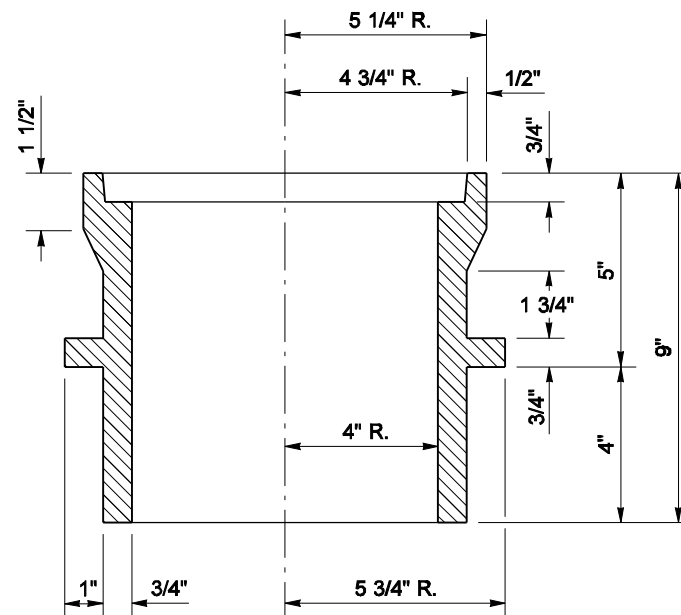
APPROXIMATE WEIGHTS	
CASE	60 LBS
COVER	19 LBS
TOTAL	79 LBS



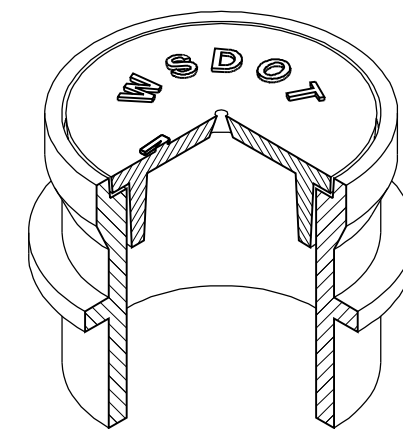
SECTION OF LETTER



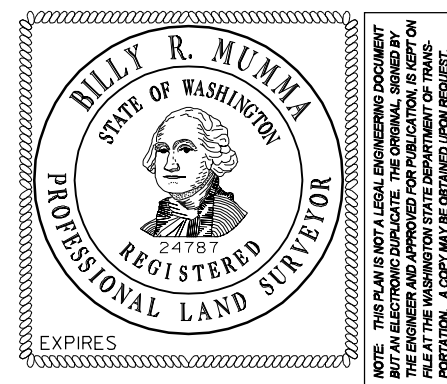
SECTION A
INSTALLATION



SECTION
CASE



ISOMETRIC



**MONUMENT CASE
AND COVER**
STANDARD PLAN A-10.30-00

SHEET 1 OF 1 SHEET

APPROVED FOR PUBLICATION

Pasco Bakotich III 10-05-07
STATE DESIGN ENGINEER DATE

